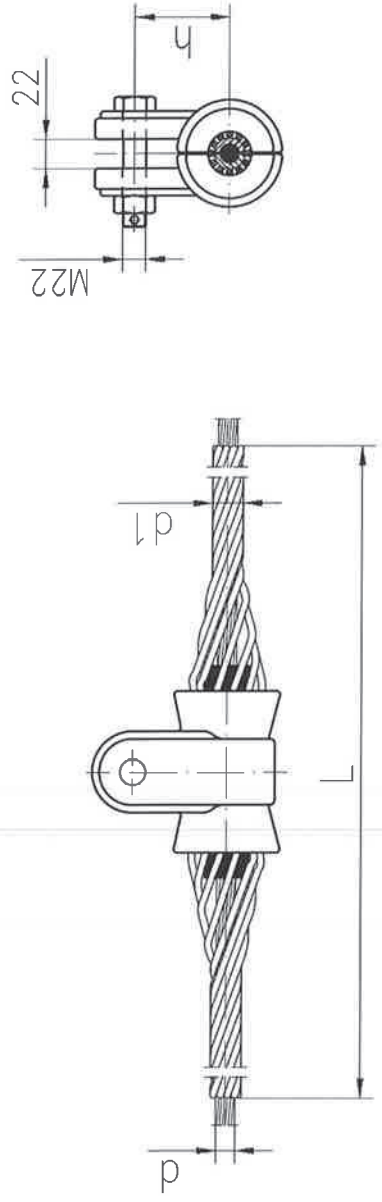


Letter				
Revision				
Date				
Name				

This page and its indications is intellectual property of Mosdorfer Company and it isn't allowed to forward those information to a third party without the written assent of Mosdorfer company.

Number	
Modification	
Date	
Name	



armor grip suspension clamp		L	h	d1	weight (approx. kg)
art.-nr. 1)	cond. dia. d (mm)				
4361.0029	27,31-27,70	2080	75	43,05-43,44	6,6
4361.0030	31,17-31,99	2240	80	49,71-50,53	9,1
4361.0031	35,99-36,64	2240	83	54,53-55,18	11,0
4361.0032	38,53-39,56	2240	83	57,07-58,10	11,0

special design

1) All art-nr. are based on right hand layed conductors.

2004 Date	Name		Replace for	Sim. to drg.-no.
Drawn 03.12.	<i>Stamm</i>		Replaced by	F1807186 A3
Checked -ll-	<i>Le</i>		Art. No.	s.Tab.
Scale	Title		Org. No.	Rev. Mod.
---	Armor grip susp. clamp		F1807260	A3
	for cond. with al or al-alloy layer		Nb. of pages	Page

Tolerance acc. to: ----- Short circuit current: ----- Breaking load: ----- Mass: ----- s.Tab.