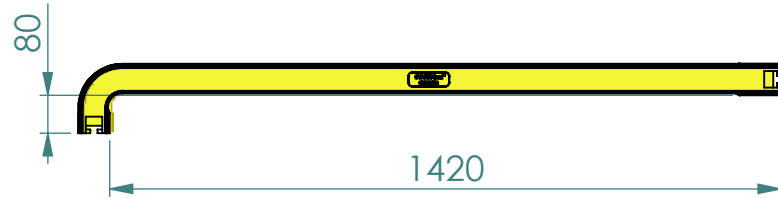
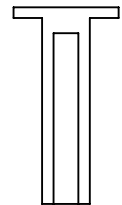
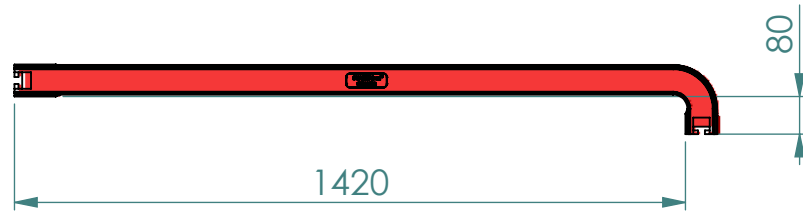


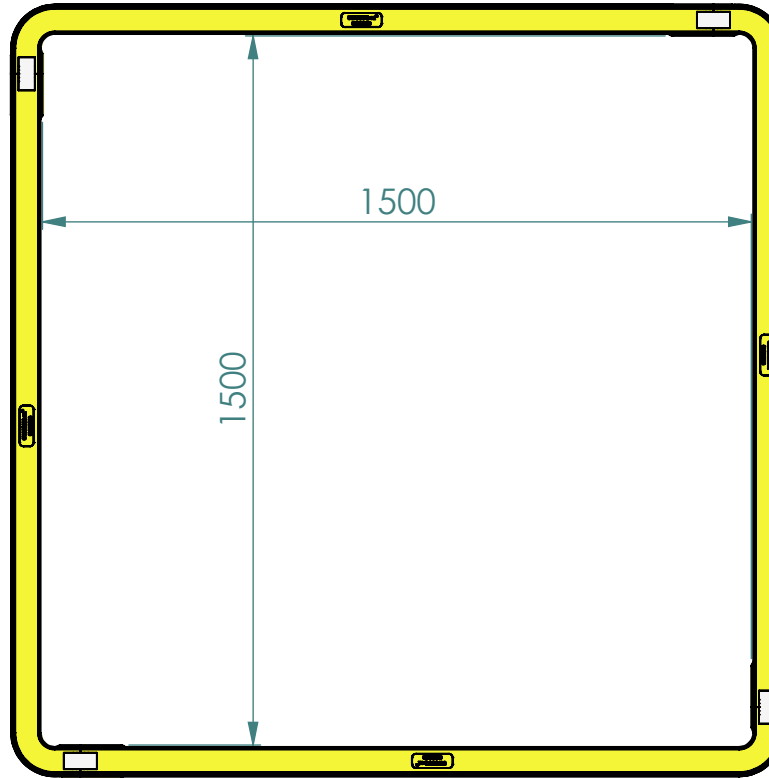
1500mm Left Hockey Stick
CPUCHS-14200080-00LH



1500mm Right Hockey Stick
CPUCHS-14200080-00RH

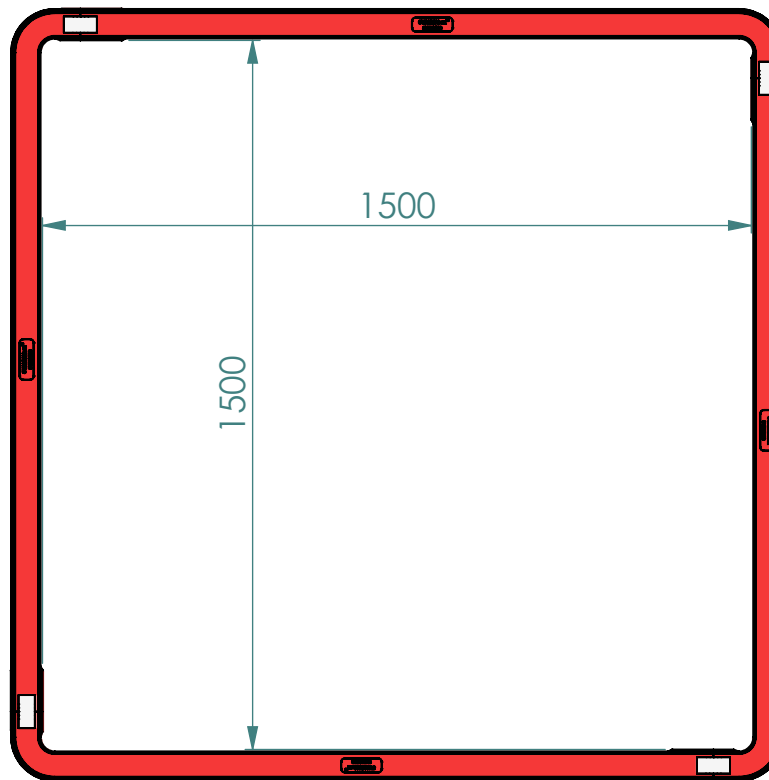


Ultima Connect Peg
CPULCS-FPV1



**1500x1500mm
Left Hand Riser Section**

| PART NUMBER | DESCRIPTION | QTY |
|----------------------|--------------------------|-----|
| CPUCHS-14200080-00LH | 1500mm Left Hockey Stick | 4 |
| CPULCS-FPV1 | Ultima Connect Peg | 4 |



**1500x1500mm
Right Hand Riser Section**

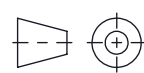
| PART NUMBER | DESCRIPTION | QTY |
|----------------------|---------------------------|-----|
| CPUCHS-14200080-00RH | 1500mm Right Hockey Stick | 4 |
| CPULCS-FPV1 | Ultima Connect Peg | 4 |



Copyright of Cubis. No part of this document may be communicated, copied or used without prior permission of Cubis.

www.Cubis-Systems.com

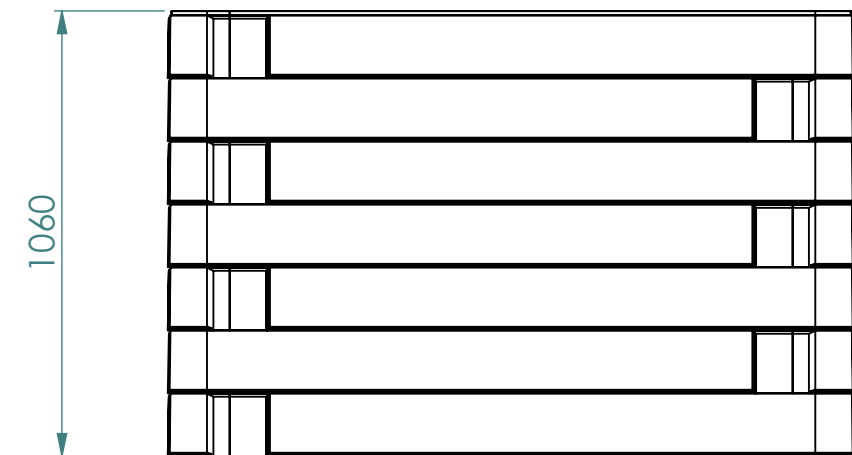
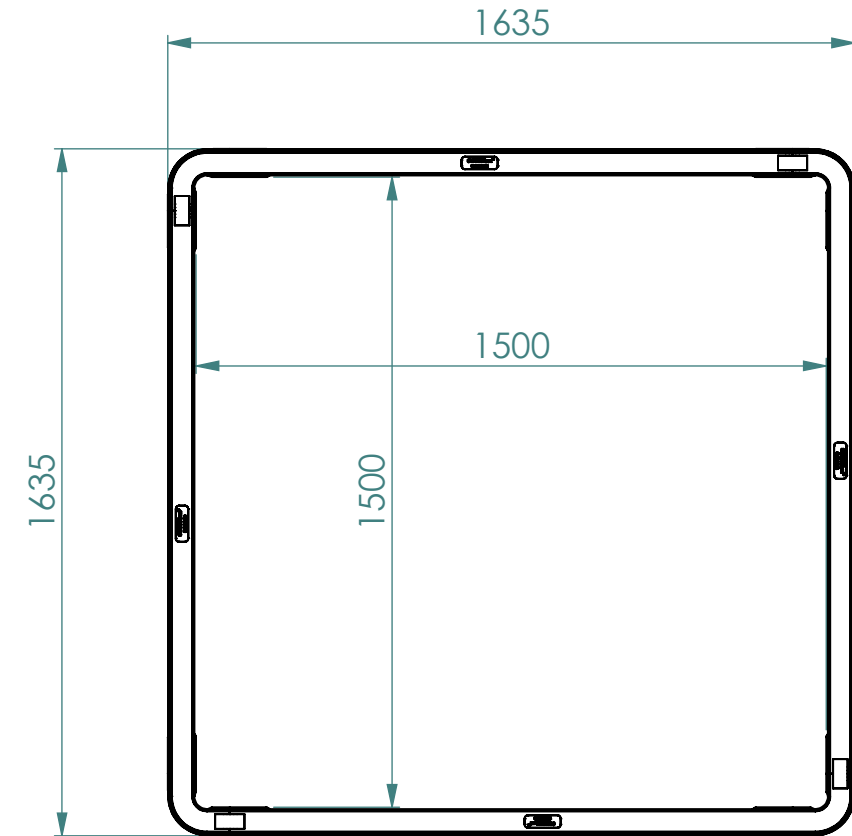
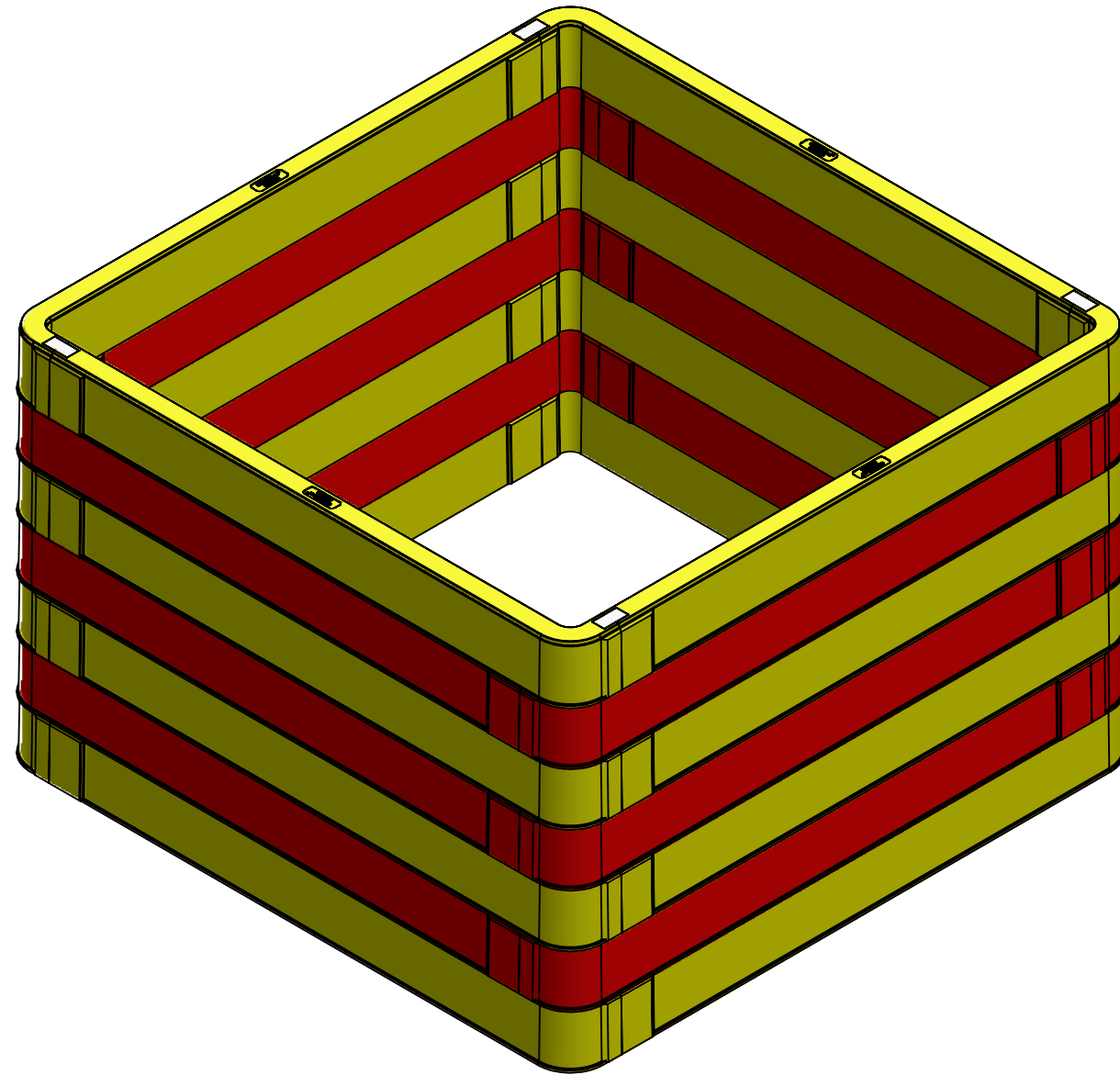
| | | |
|-------|----------|------------------------|
| Date | 19/06/17 | Third Angle Projection |
| Drawn | CB | |
| Appr. | . | Weight |



| | | |
|-----------------------------------|-----|----------|
| Material | N/A | |
| Finish | N/A | DIMS |
| Tolerance unless Otherwise Stated | | +1,-1 mm |

| | | | |
|-------|--|--------------|-----|
| TITLE | 1500x1500mm Ultima Connect Riser Build Details | | |
| SIZE | DWG NO | SHEET 1 OF 2 | REV |
| A3 | - | - | - |

| | | | | |
|-----|----------|-------------------------------|------|------|
| Rev | Date | Revision History: Description | Drwn | Appr |
| . | --/--/-- | . | . | . |
| . | --/--/-- | . | . | . |
| . | --/--/-- | . | . | . |
| . | --/--/-- | . | . | . |



When building up a chamber alternate between left hand and right hand riser sections.



Copyright of Cubis. No part of this document may be communicated, copied or used without prior permission of Cubis.

www.Cubis-Systems.com

| | |
|-------|----------|
| Date | 19/06/17 |
| Drawn | CB |
| Appr. | . |

| | |
|------------------------|------|
| Third Angle Projection | |
| Weight | . kg |

| | |
|-----------------------------------|-------|
| Material | N/A |
| Finish | N/A |
| Tolerance unless Otherwise Stated | +1,-1 |

| | |
|------|----|
| DIMS | mm |
|------|----|

| | | | |
|-------|--|--------|---|
| TITLE | 1500x1500x1050mm Ultima Connect Chamber | | |
| SIZE | A3 | DWG NO | - |
| SHEET | 2 OF 2 | REV | - |

| | | | | |
|-----|----------|-------------------------------|------|------|
| Rev | Date | Revision History: Description | Drwn | Appr |
| . | --/--/-- | . | . | . |
| . | --/--/-- | . | . | . |
| . | --/--/-- | . | . | . |
| . | --/--/-- | . | . | . |