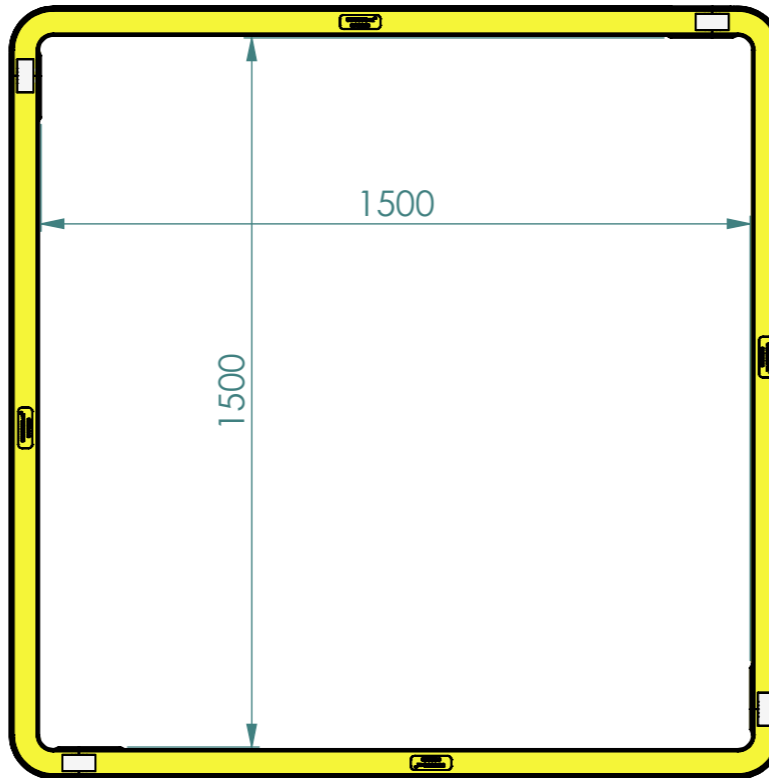
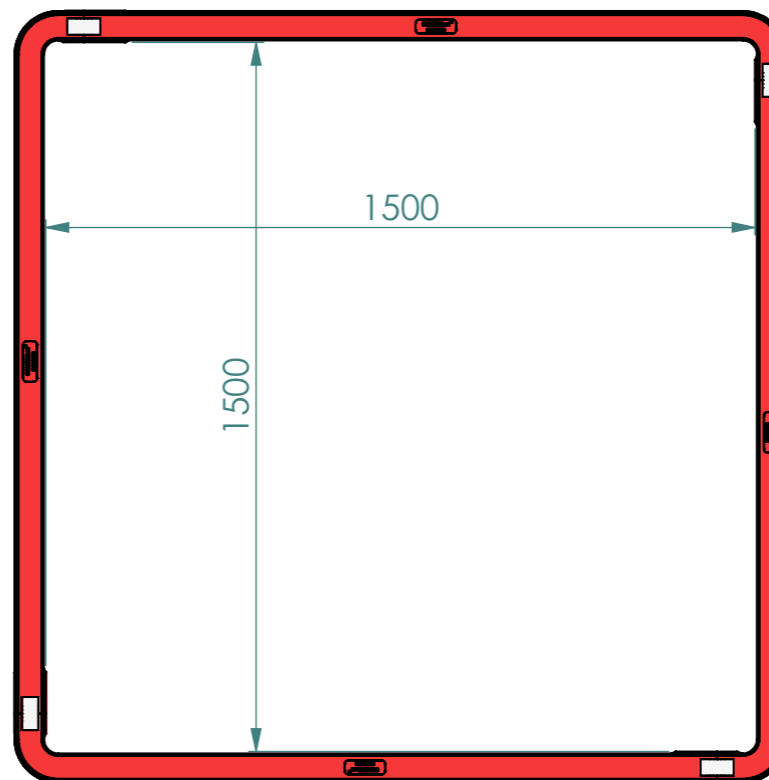


Ultima Connect Peg
CPULCS-FPV1



**1500x1500mm
Left Hand Riser Section**

| PART NUMBER | DESCRIPTION | QTY |
|----------------------|--------------------------|-----|
| CPUCHS-14200080-00LH | 1500mm Left Hockey Stick | 4 |
| CPULCS-FPV1 | Ultima Connect Peg | 4 |



**1500x1500mm
Right Hand Riser Section**

| PART NUMBER | DESCRIPTION | QTY |
|----------------------|---------------------------|-----|
| CPUCHS-14200080-00RH | 1500mm Right Hockey Stick | 4 |
| CPULCS-FPV1 | Ultima Connect Peg | 4 |

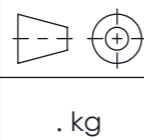


Copyright of Cubis. No part of this document may be communicated, copied or used without prior permission of Cubis.

www.Cubis-Systems.com

Date 05/12/16
Drawn C BURKE
Appr. .

Third Angle Projection
Weight . kg

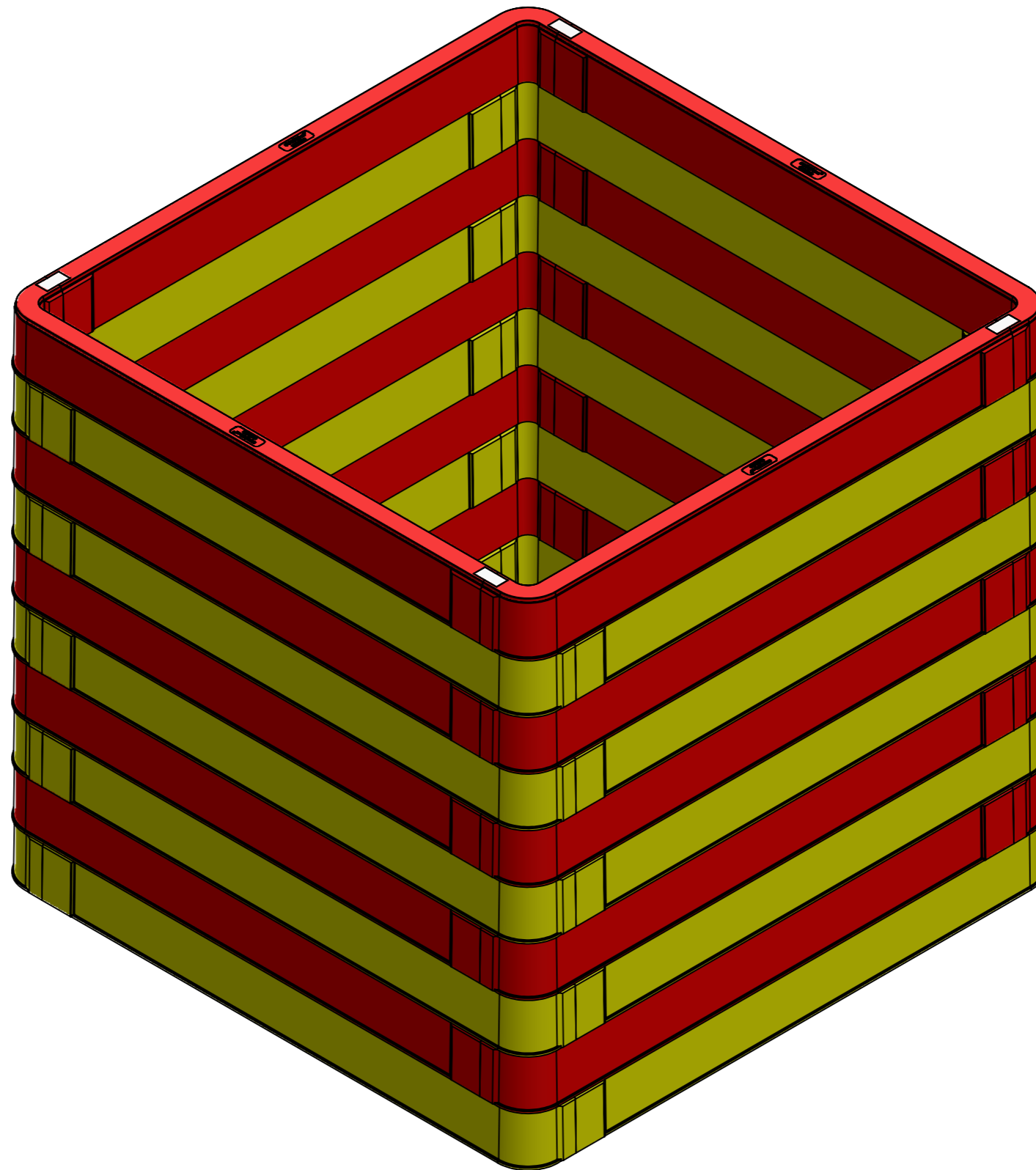


Material N/A
Finish N/A
Tolerance unless Otherwise Stated +1,-1
DIMS mm

TITLE 1500x1500mm Ultima Connect Riser Build Details

SIZE A3 DWG NO - SHEET 1 OF 2 REV -

| Rev | Date | Description | Drwn | Appr |
|-----|-------|-------------|------|------|
| . | --/-- | . | . | . |
| . | --/-- | . | . | . |
| . | --/-- | . | . | . |
| . | --/-- | . | . | . |



Copyright of Cubis. No part of this document may be communicated, copied or used without prior permission of Cubis.

www.Cubis-Systems.com

| | |
|-------|----------|
| Date | 05/12/16 |
| Drawn | C BURKE |
| Appr. | . |

| | |
|------------------------|------|
| Third Angle Projection | |
| Weight | . kg |

| | |
|-----------------------------------|-------|
| Material | N/A |
| Finish | N/A |
| Tolerance unless Otherwise Stated | +1,-1 |

| | |
|------|----|
| DIMS | mm |
|------|----|

| | | | |
|-------|--|--------------|-----|
| TITLE | 1500x1500x1500mm Ultima Connect Chamber | | |
| SIZE | A3 | DWG NO | - |
| | | SHEET 2 OF 2 | REV |
| | | | - |

| | | | | |
|-----|-------|-------------------------------|------|------|
| Rev | Date | Revision History: Description | Drwn | Appr |
| . | --/-- | . | . | . |
| . | --/-- | . | . | . |
| . | --/-- | . | . | . |
| . | --/-- | . | . | . |