

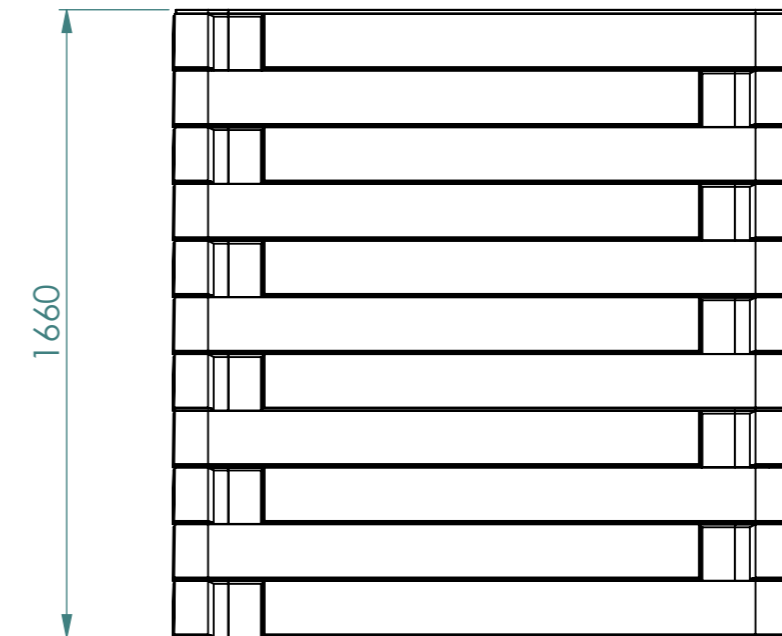
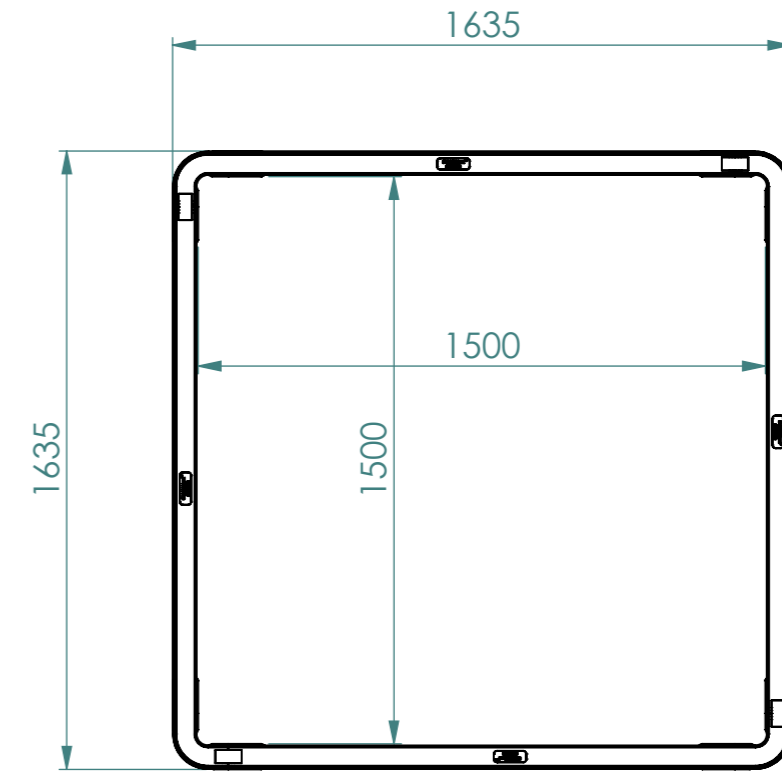
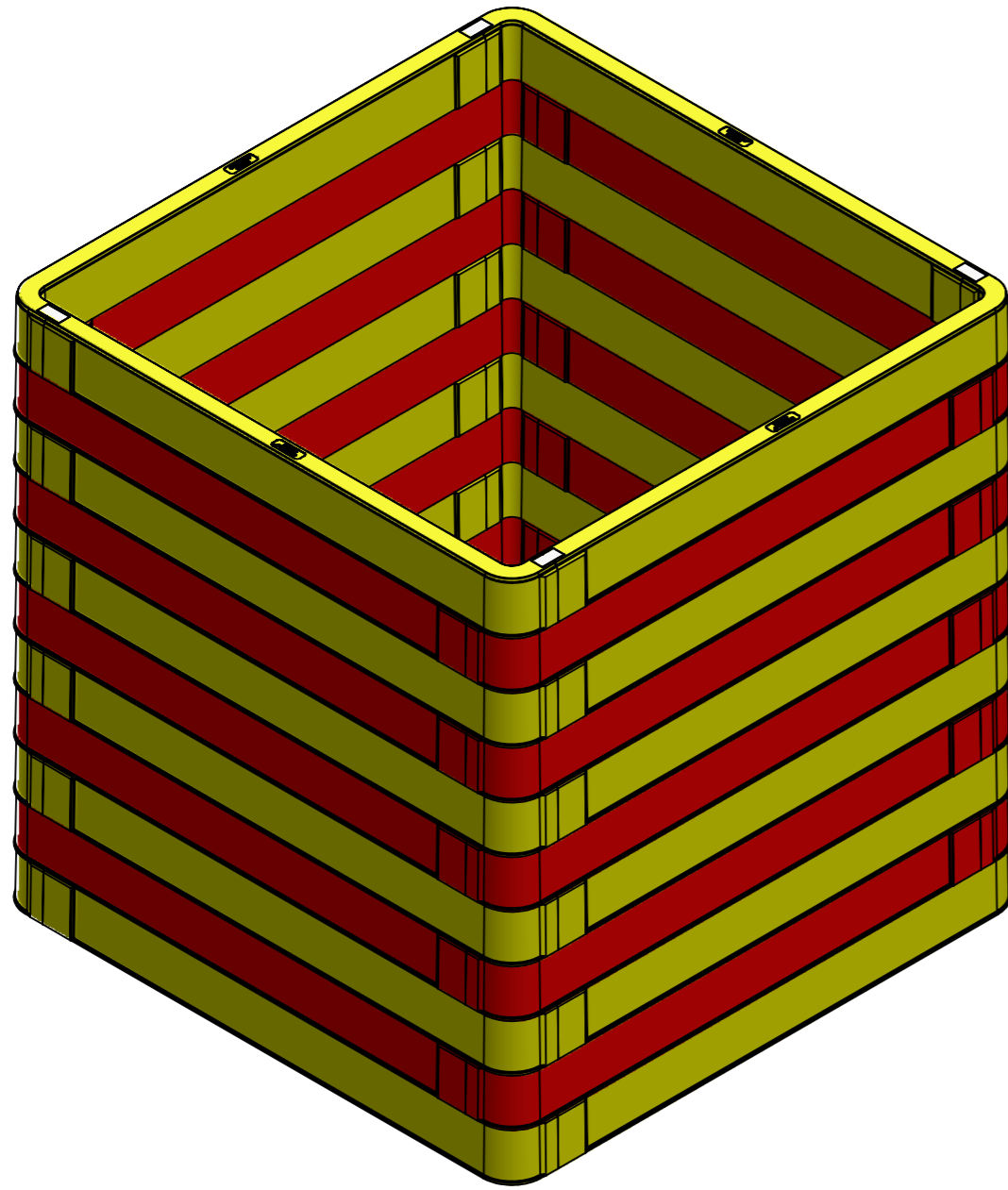
**1500x1500mm  
Left Hand Riser Section**

PART NUMBER	DESCRIPTION	QTY
CPUCHS-14200080-00LH	1500mm Left Hockey Stick	4
CPULCS-FPV1	Ultima Connect Peg	4

**1500x1500mm  
Right Hand Riser Section**

PART NUMBER	DESCRIPTION	QTY
CPUCHS-14200080-00RH	1500mm Right Hockey Stick	4
CPULCS-FPV1	Ultima Connect Peg	4





**When building up a chamber alternate between left hand and right hand riser sections.**



Copyright of Cubis. No part of this document may be communicated, copied or used without prior permission of Cubis.  
www.Cubis-Systems.com

Date	10/03/17	Third Angle Projection
Drawn	C BURKE	
Appr.	.	

Weight	. kg
--------	------

Material	N/A	
Finish	N/A	DIMS
Tolerance unless Otherwise Stated		+1,-1 mm

TITLE		1500x1500x1650mm	
		Ultima Connect Chamber	
SIZE	DWG NO	SHEET 2 OF 2	REV
A3	-	-	-

Rev	Date	Revision History: Description	Drwn	Appr
.	--/--	.	.	.
.	--/--	.	.	.
.	--/--	.	.	.
.	--/--	.	.	.