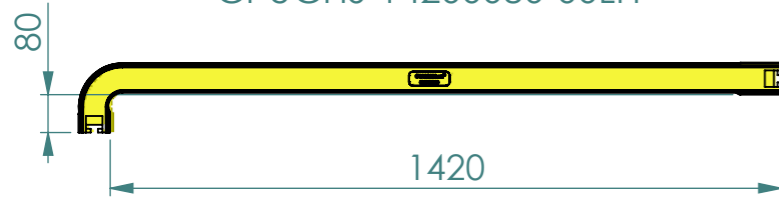
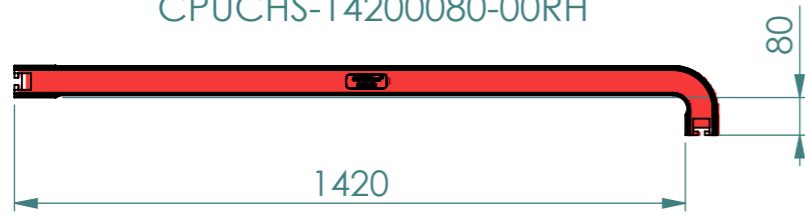


1500mm Left Hockey Stick
CPUCHS-14200080-00LH



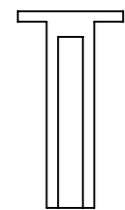
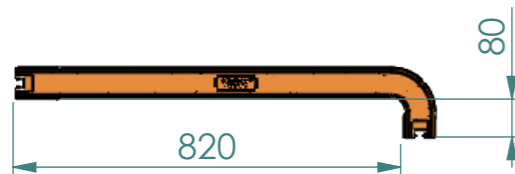
1500mm Right Hockey Stick
CPUCHS-14200080-00RH



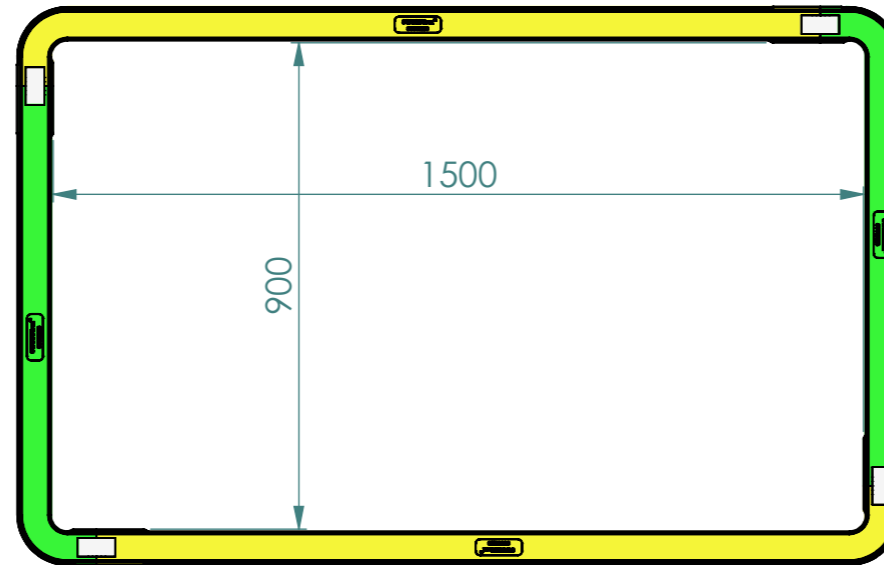
900mm Left Hockey Stick
CPUCHS-08200080-00LH



900mm Right Hockey Stick
CPUCHS-08200080-00RH

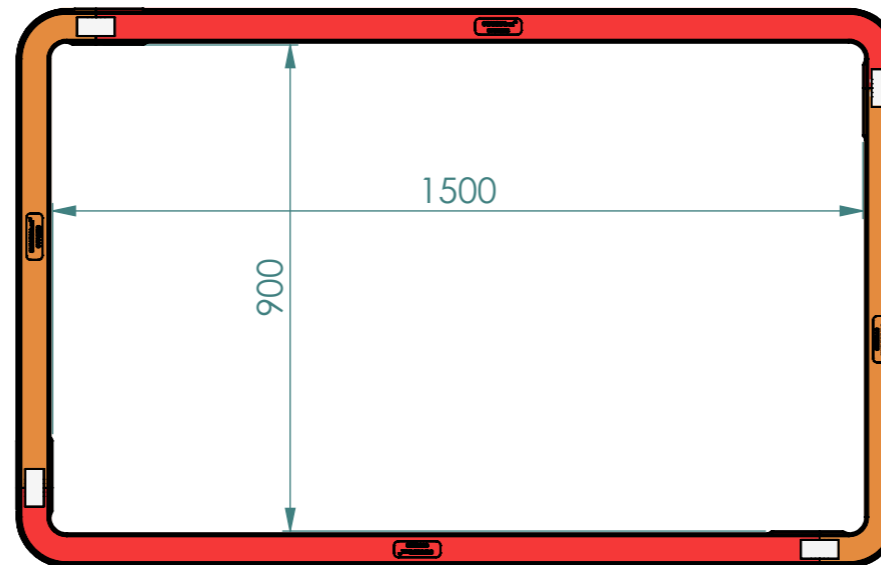


Ultima Connect Peg
CPULCS-FPV1



**1500x900mm
Left Hand Riser Section**

PART NUMBER	DESCRIPTION	QTY
CPUCHS-14200080-00LH	1500mm Left Hockey Stick	2
CPUCHS-08200080-00LH	900mm Left Hockey Stick	2
CPULCS-FPV1	Ultima Connect Peg	4



**1500x900mm
Right Hand Riser Section**

PART NUMBER	DESCRIPTION	QTY
CPUCHS-14200080-00RH	1500mm Right Hockey Stick	2
CPUCHS-08200080-00RH	900mm Right Hockey Stick	2
CPULCS-FPV1	Ultima Connect Peg	4



Copyright of Cubis. No part of this document may be communicated, copied or used without prior permission of Cubis.

www.Cubis-Systems.com

Date 24/09/17
Drawn CB
Appr.

Third Angle Projection
Weight . kg

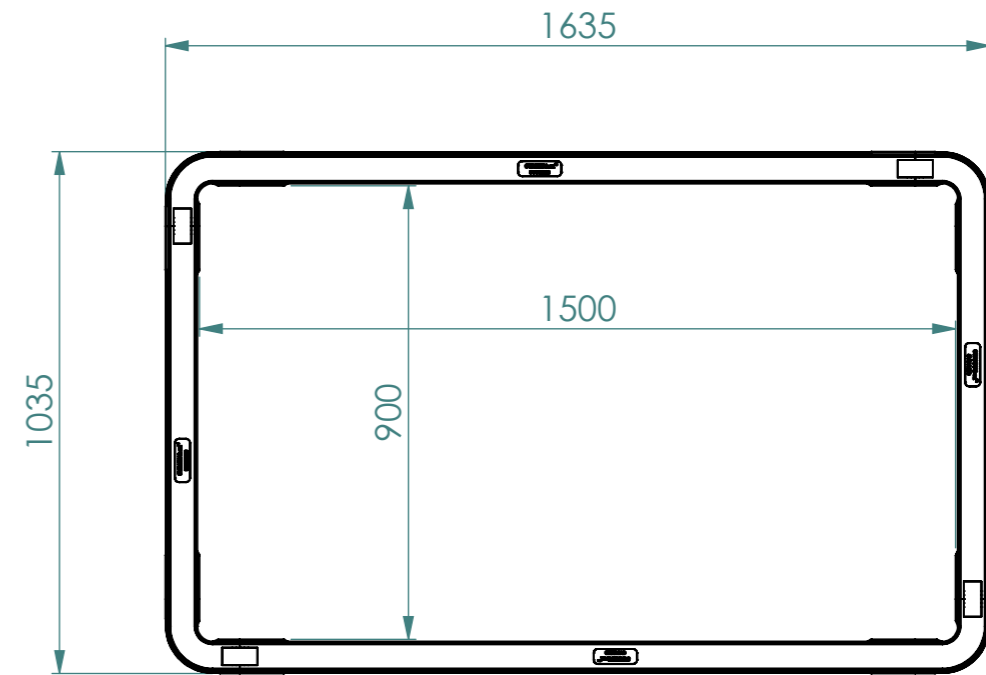
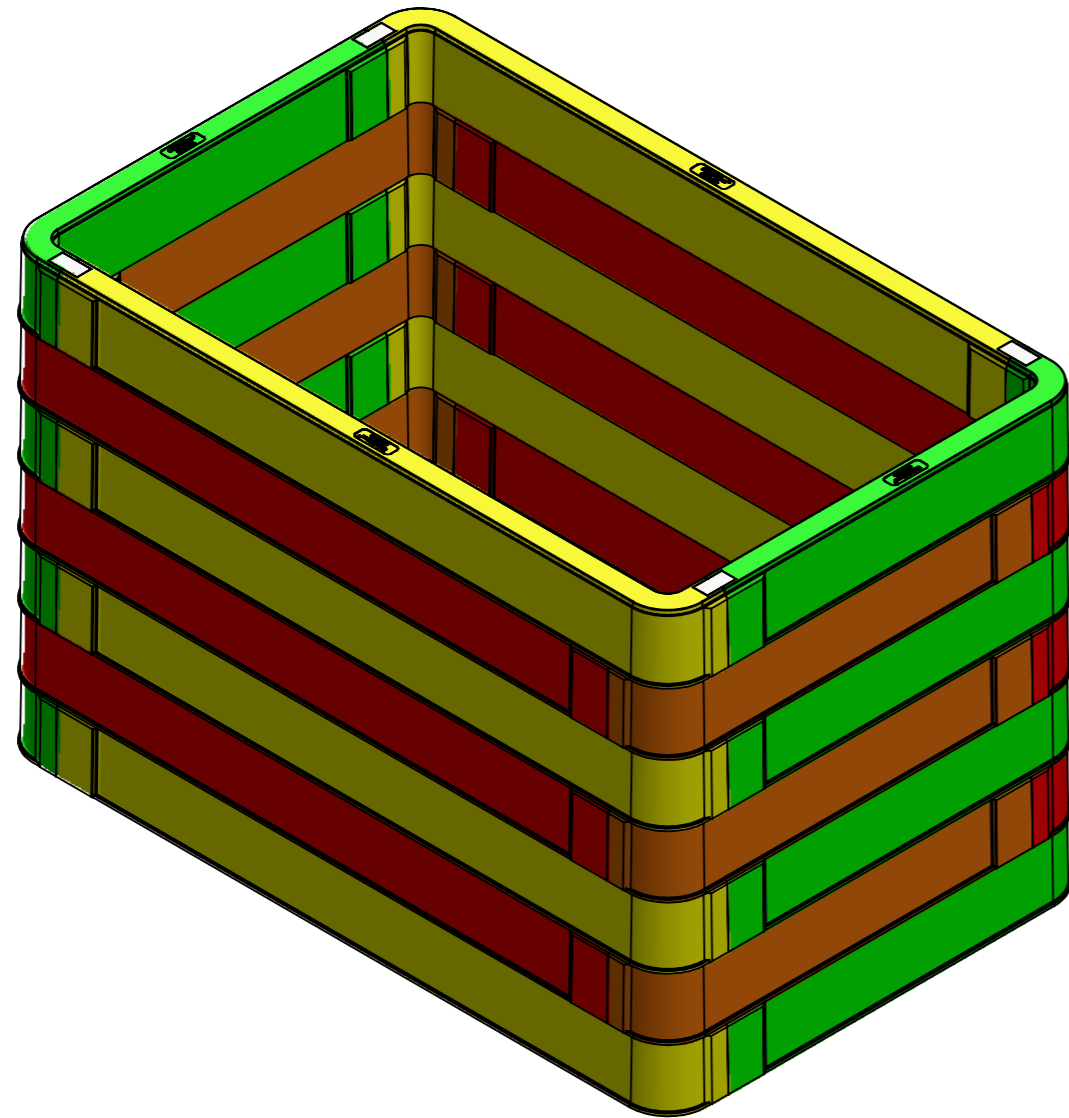
Material N/A
Finish N/A
Tolerance unless Otherwise Stated +1,-1

DIMS mm

TITLE 1500x900mm Ultima Connect Riser Build Details

SIZE A3 DWG NO SHEET 1 OF 2 REV -

Rev	Date	Description	Drwn	Appr
.	--/--/--	.	.	.
.	--/--/--	.	.	.
.	--/--/--	.	.	.
.	--/--/--	.	.	.



When building up a chamber alternate between left hand and right hand riser sections.



Copyright of Cubis. No part of this document may be communicated, copied or used without prior permission of Cubis.

www.Cubis-Systems.com

Date	24/09/17	Third Angle Projection		Material	N/A		TITLE	1500x900x1050mm								
Drawn	CB	Weight	. kg	Finish	N/A		Ultima Connect Chamber									
Appr.	.			Tolerance unless Otherwise Stated	+1,-1	DIMS	mm	SIZE	A3	DWG NO	-	SHEET 2 OF 2	REV	-		
												Rev	Date	Revision History: Description	Drwn	Appr