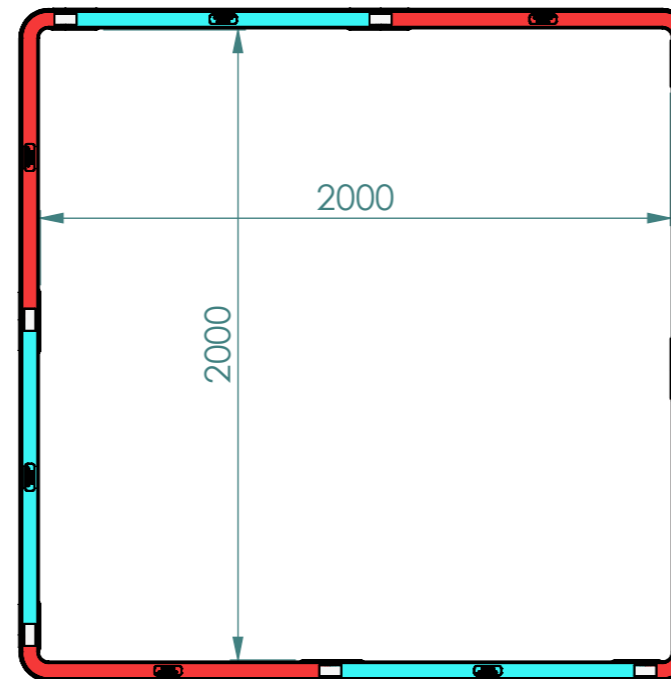


2000x2000mm Left Hand Riser Section

PART NUMBER	DESCRIPTION	QTY
CPUCHS-09200080-00LH	1000mm Left Hockey Stick	4
CPUCSW-1000	1000mm Straight	4
CPULCS-FPV1	Connect Peg	8



2000x2000mm Right Hand Riser Section

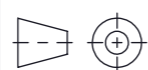
PART NUMBER	DESCRIPTION	QTY
CPUCHS-09200080-00RH	1000mm Left Hockey Stick	4
CPUCSW-1000	1000mm Straight	4
CPULCS-FPV1	Ultima Connect Peg	8



Copyright of Cubis. No part of this document may be communicated, copied or used without prior permission of Cubis.

www.Cubis-Systems.com

Date	10/03/17	Third Angle Projection
Drawn	C BURKE	
Appr.	.	Weight

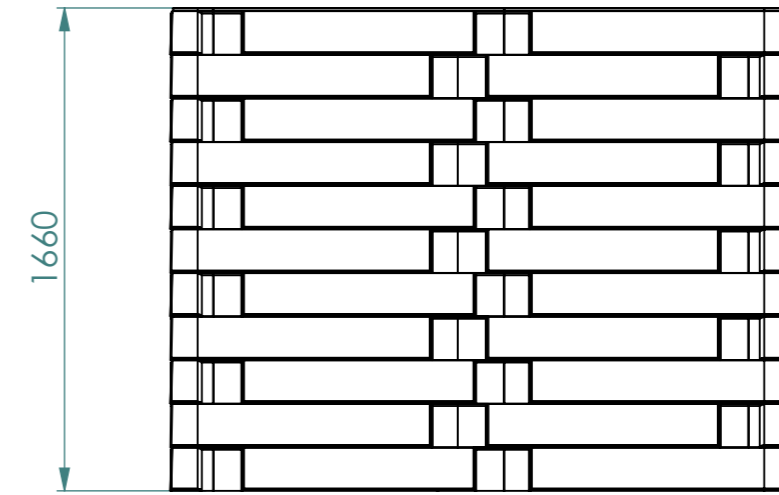
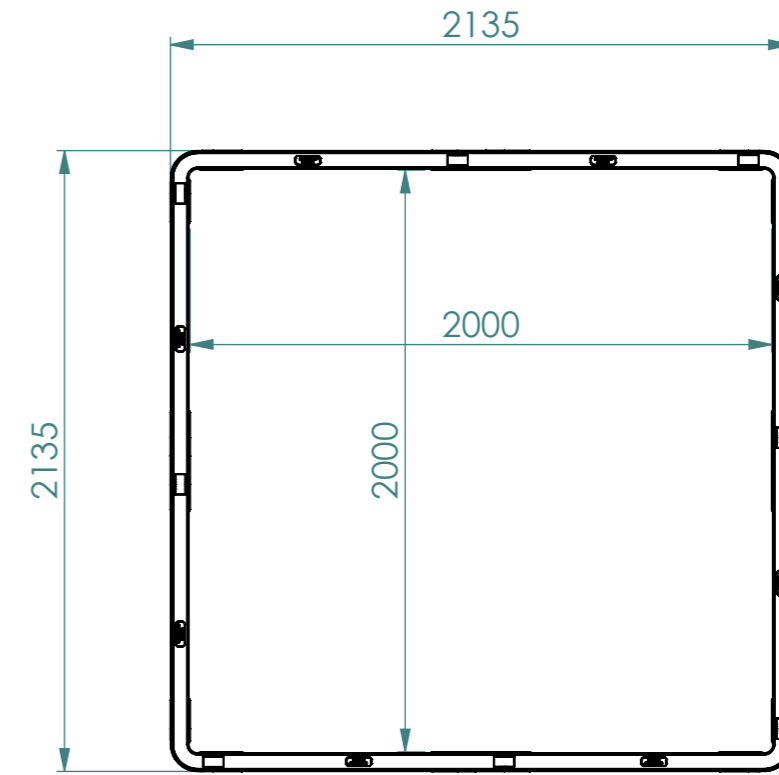
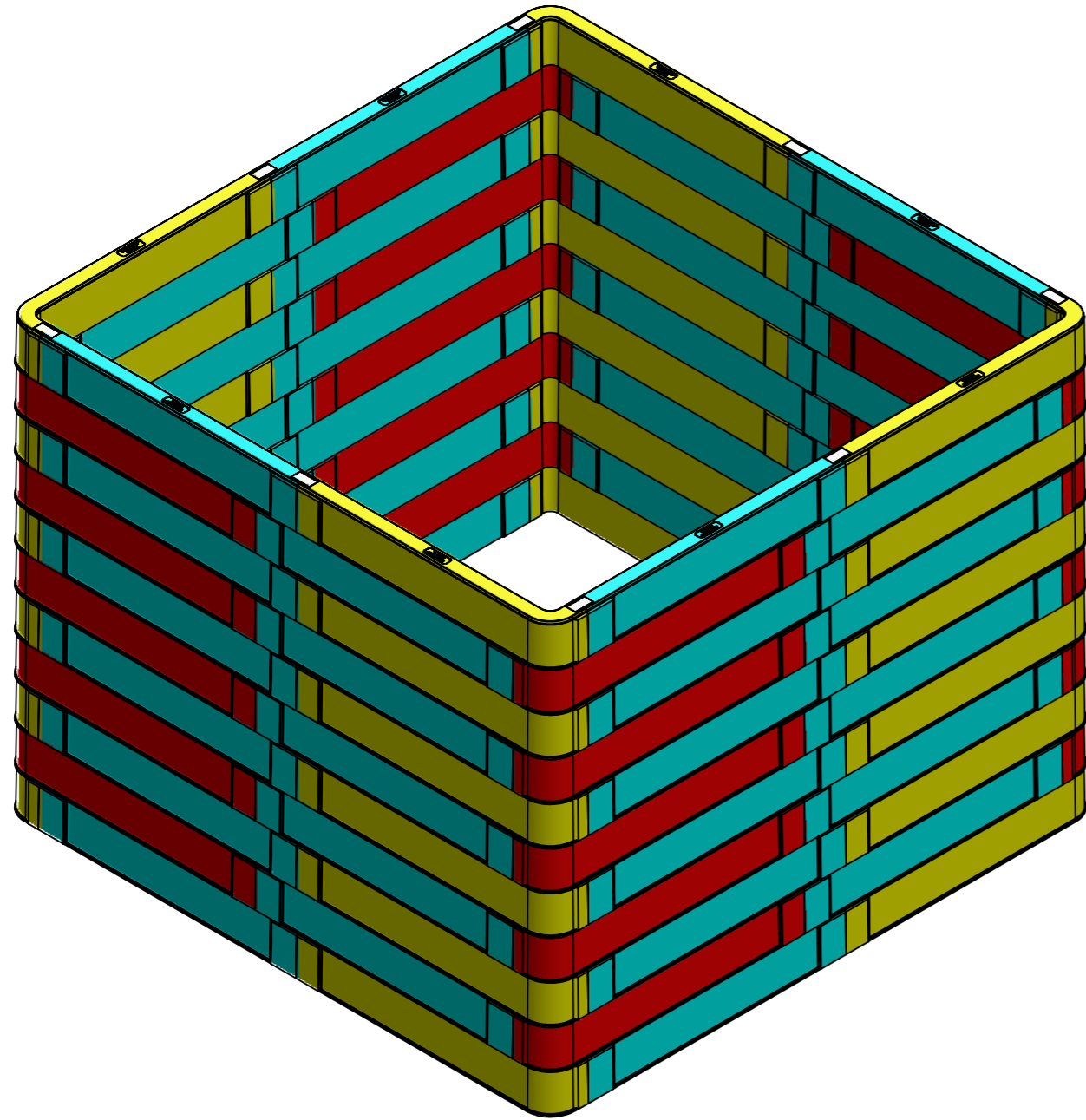


Material	N/A	
Finish	N/A	DIMS
Tolerance unless Otherwise Stated	+1,-1	mm

TITLE 2000x2000mm Ultima Connect Riser Build Details

SIZE	DWG NO	SHEET 1 OF 2	REV
A3	-	-	-

Rev	Date	Revision History: Description	Drwn	Appr
.	--/--	.	.	.
.	--/--	.	.	.
.	--/--	.	.	.
.	--/--	.	.	.



When building up a chamber alternate between left hand and right hand riser sections.



Copyright of Cubis. No part of this document may be communicated, copied or used without prior permission of Cubis.
www.Cubis-Systems.com

Date	10/03/17	Third Angle Projection		Material	N/A		TITLE	2000x2000x1650mm			Rev	---	Date	---	Drwn	---	Appr	---
Drawn	C BURKE	Weight	. kg	Finish	N/A		DIMS	SIZE	DWG NO	SHEET 2 OF 2	Rev	---	Date	---	Drwn	---	Appr	---
Appr.	.			Tolerance unless Otherwise Stated	+1,-1	mm	A3	-	-	-	-	-	-	-	-	-	-	-
Revision History: Description																		