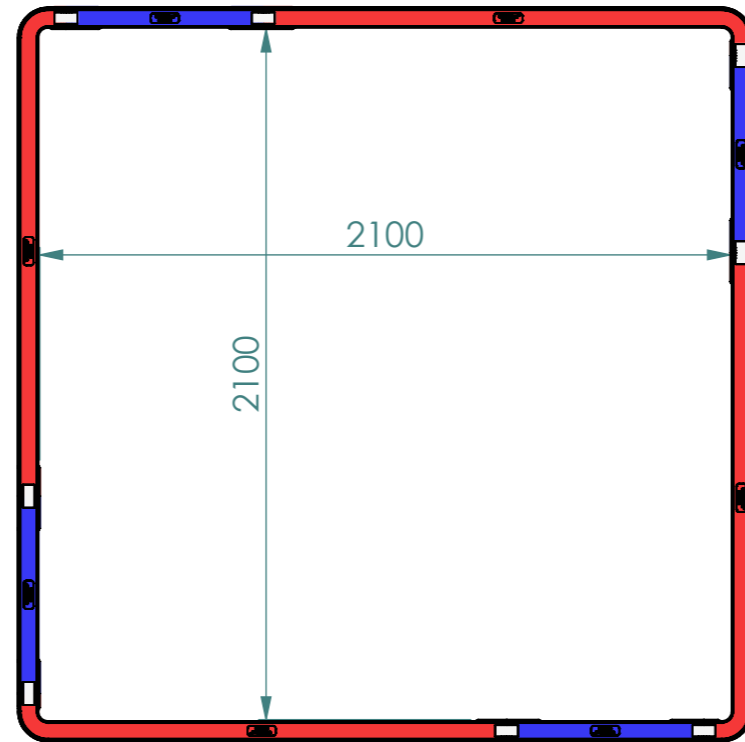


**2100x2100mm
Left Hand Riser Section**

PART NUMBER	DESCRIPTION	QTY
CPUCHS-14200080-00LH	1500mm Left Hockey Stick	4
CPUCSW-0600	600mm Straight	4
CPULCS-FPV1	Ultima Connect Peg	8



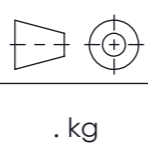
**2100x2100mm
Right Hand Riser Section**

PART NUMBER	DESCRIPTION	QTY
CPUCHS-14200080-00RH	1500mm Right Hockey Stick	4
CPUCSW-0600	600mm Straight	4
CPULCS-FPV1	Ultima Connect Peg	8



Copyright of Cubis. No part of this document may be communicated, copied or used without prior permission of Cubis.
www.Cubis-Systems.com

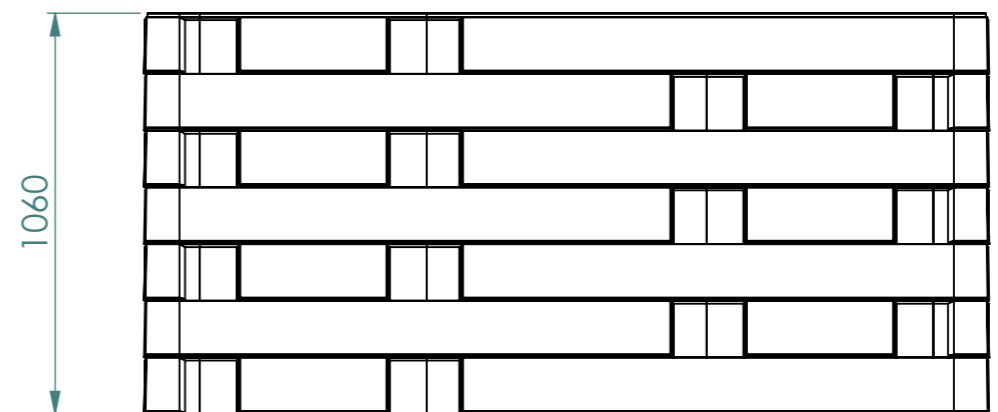
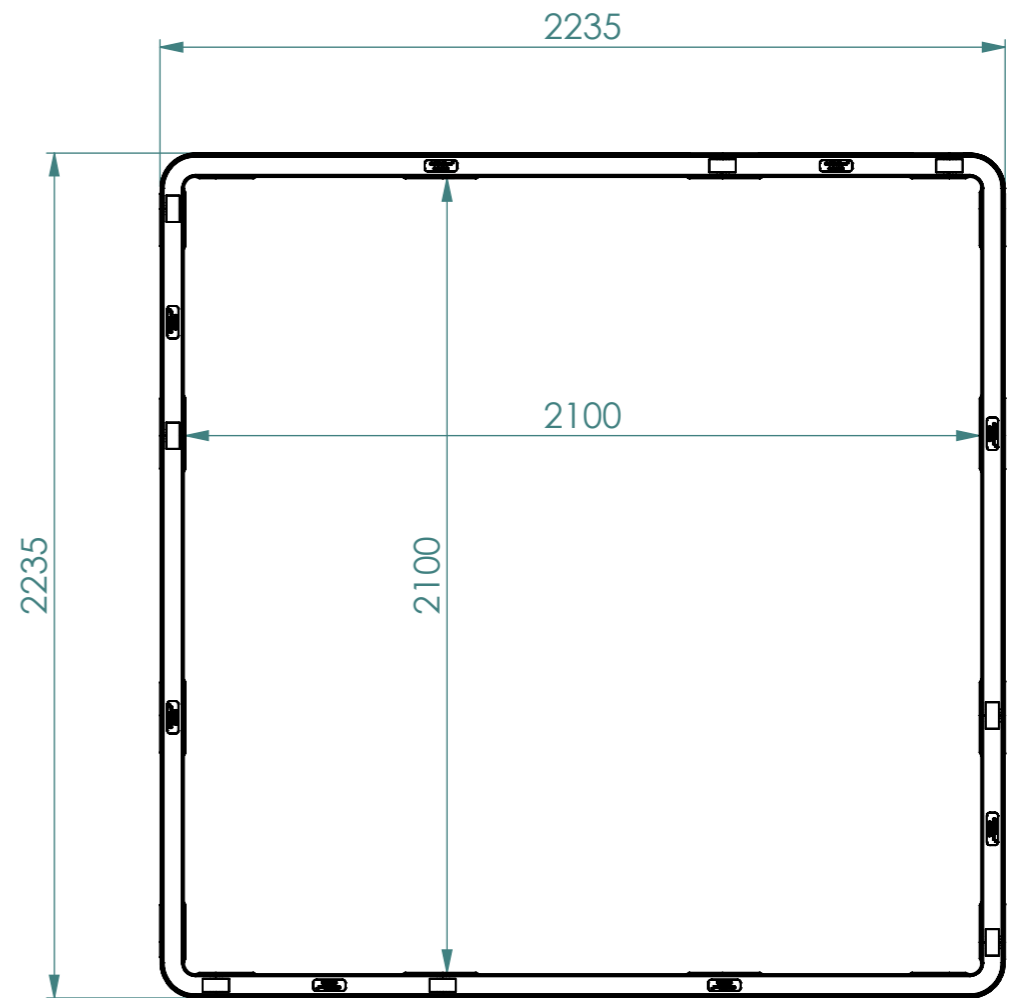
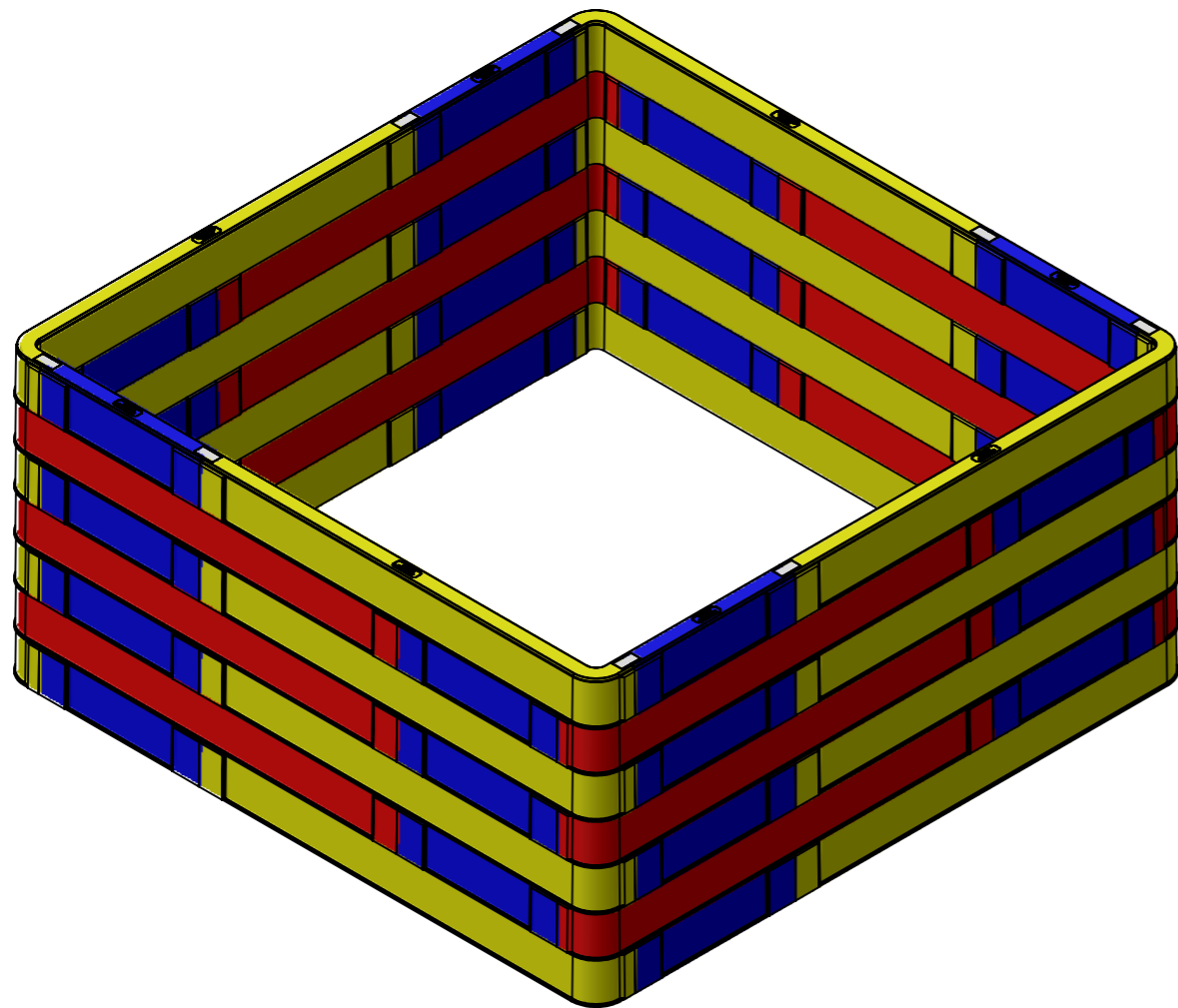
Date	15/06/17	Third Angle Projection
Drawn	CB	
Appr.		Weight



Material	N/A	
Finish	N/A	DIMS
Tolerance unless Otherwise Stated		+1,-1 mm

TITLE	2100x2100mm Ultima Connect Riser Build Details		
SIZE	DWG NO	SHEET 1 OF 2	REV
A3	-	-	-

Rev	Date	Description	Drwn	Appr
.	--/--	.	.	.
.	--/--	.	.	.
.	--/--	.	.	.
.	--/--	.	.	.



When building up a chamber alternate between left hand and right hand riser sections.



Copyright of Cubis. No part of this document may be communicated, copied or used without prior permission of Cubis.

www.Cubis-Systems.com

Date	15/06/17
Drawn	CB
Appr.	.

Third Angle Projection	
Weight	. kg

	N/A
Finish	N/A
Tolerance unless Otherwise Stated	+1,-1

Material	N/A	
Finish	N/A	DIMS
Tolerance unless Otherwise Stated	+1,-1	mm

TITLE	2100x2100x1050mm Ultima Connect Chamber		
SIZE	A3	DWG NO	-
SHEET	2 OF 2	REV	-

Rev	Date	Revision History: Description	Drwn	Appr
.	--/--/--	.	.	.
.	--/--/--	.	.	.
.	--/--/--	.	.	.
.	--/--/--	.	.	.