

Copyright of Cubis. No part of this document may be communicated, copied or used without prior permission of Cubis.  
www.Cubis-Systems.com

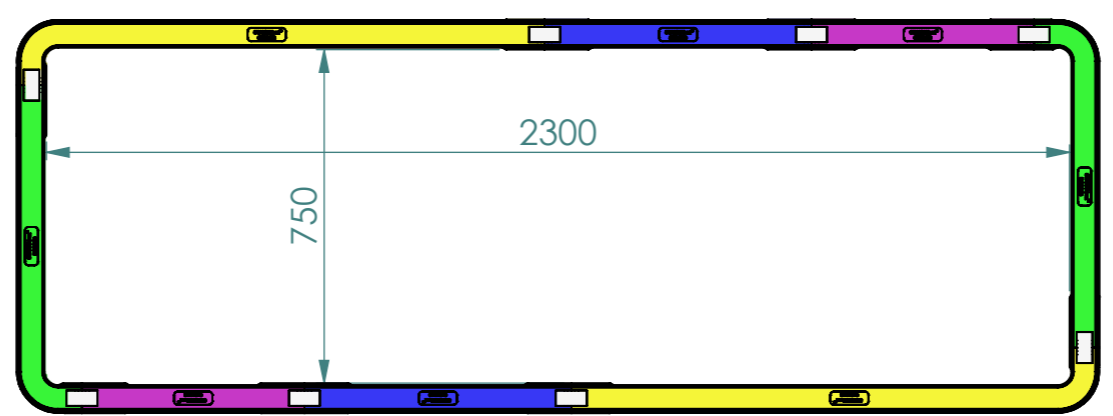
Date	24/09/17	Third Angle Projection
Drawn	CB	
Appr.	.	

Weight	. kg
--------	------

Material	N/A	
Finish	N/A	
Tolerance unless Otherwise Stated	+1,-1	mm

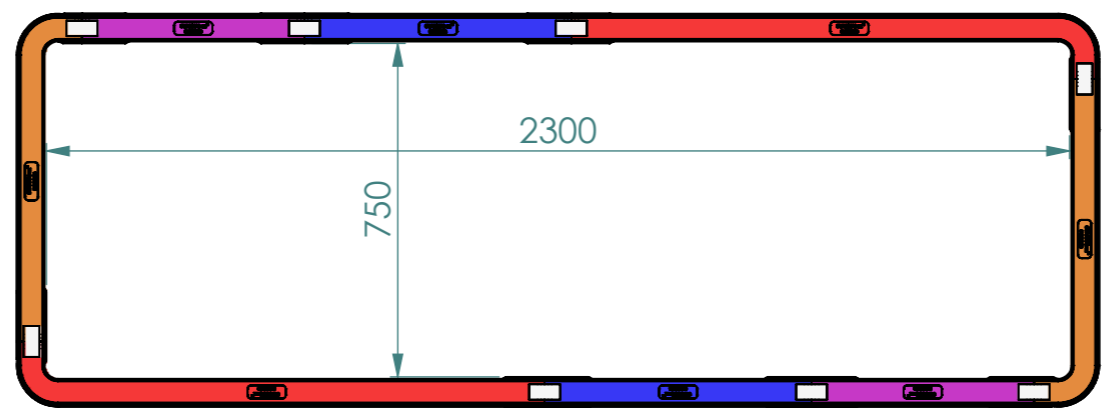
TITLE	2300x750mm Ultima Connect Riser Build Details		
SIZE	A3	DWG NO	-
SHEET	1 OF 2	REV	-

Rev	Date	Revision History: Description	Drwn	Appr
.	--/--/--	.	.	.
.	--/--/--	.	.	.
.	--/--/--	.	.	.
.	--/--/--	.	.	.



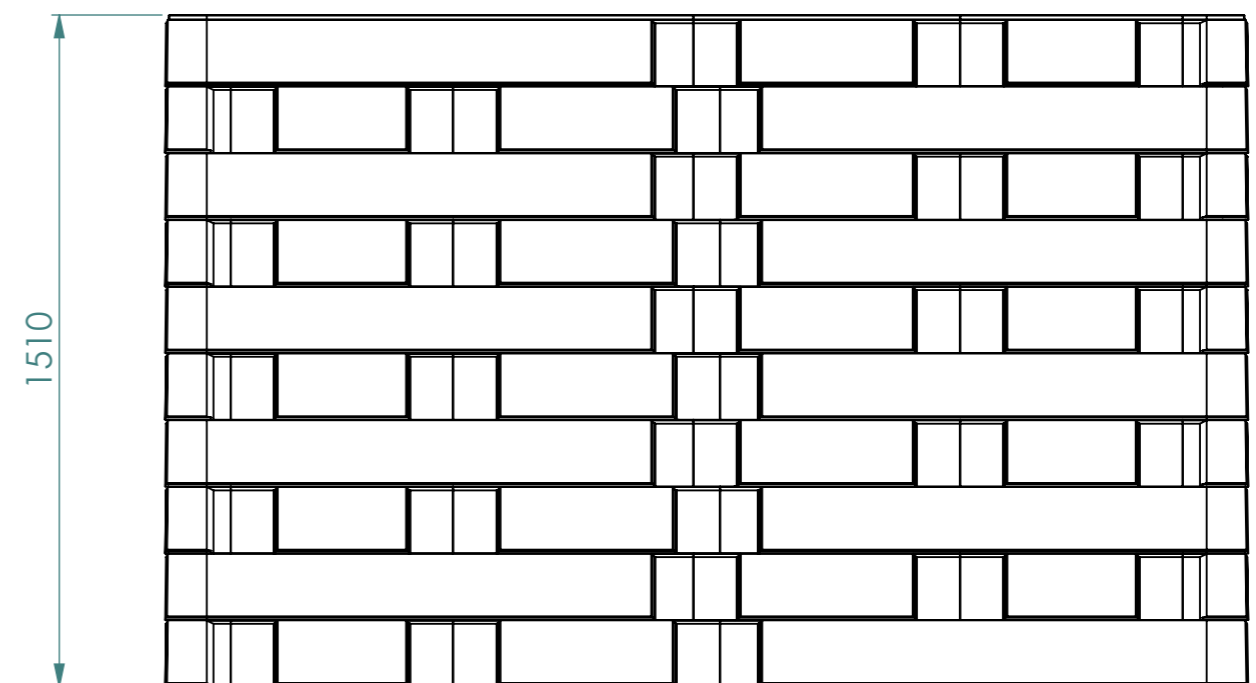
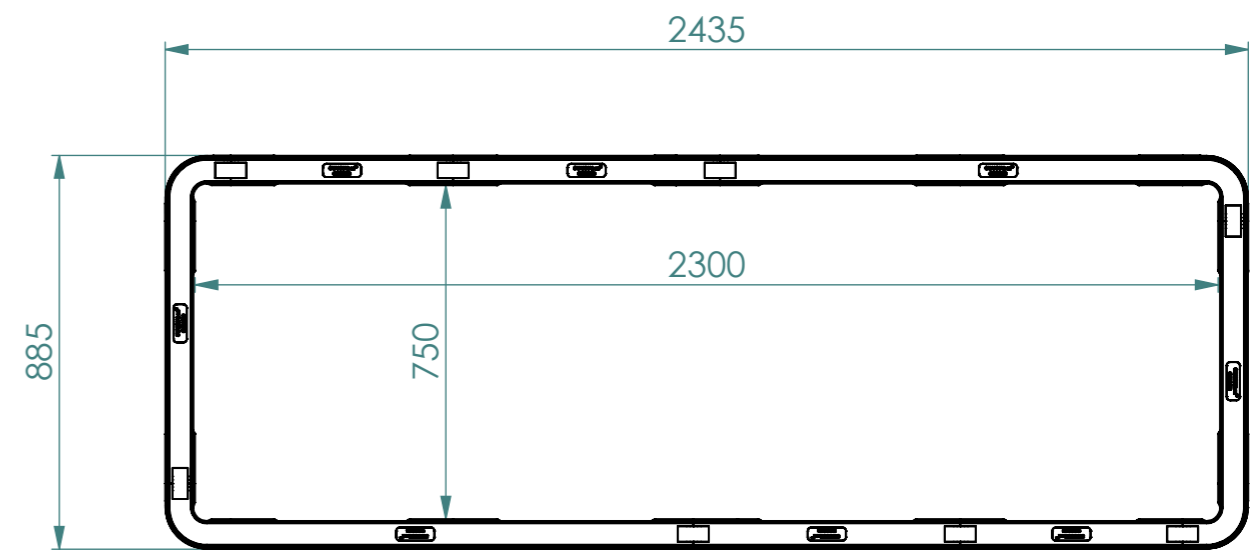
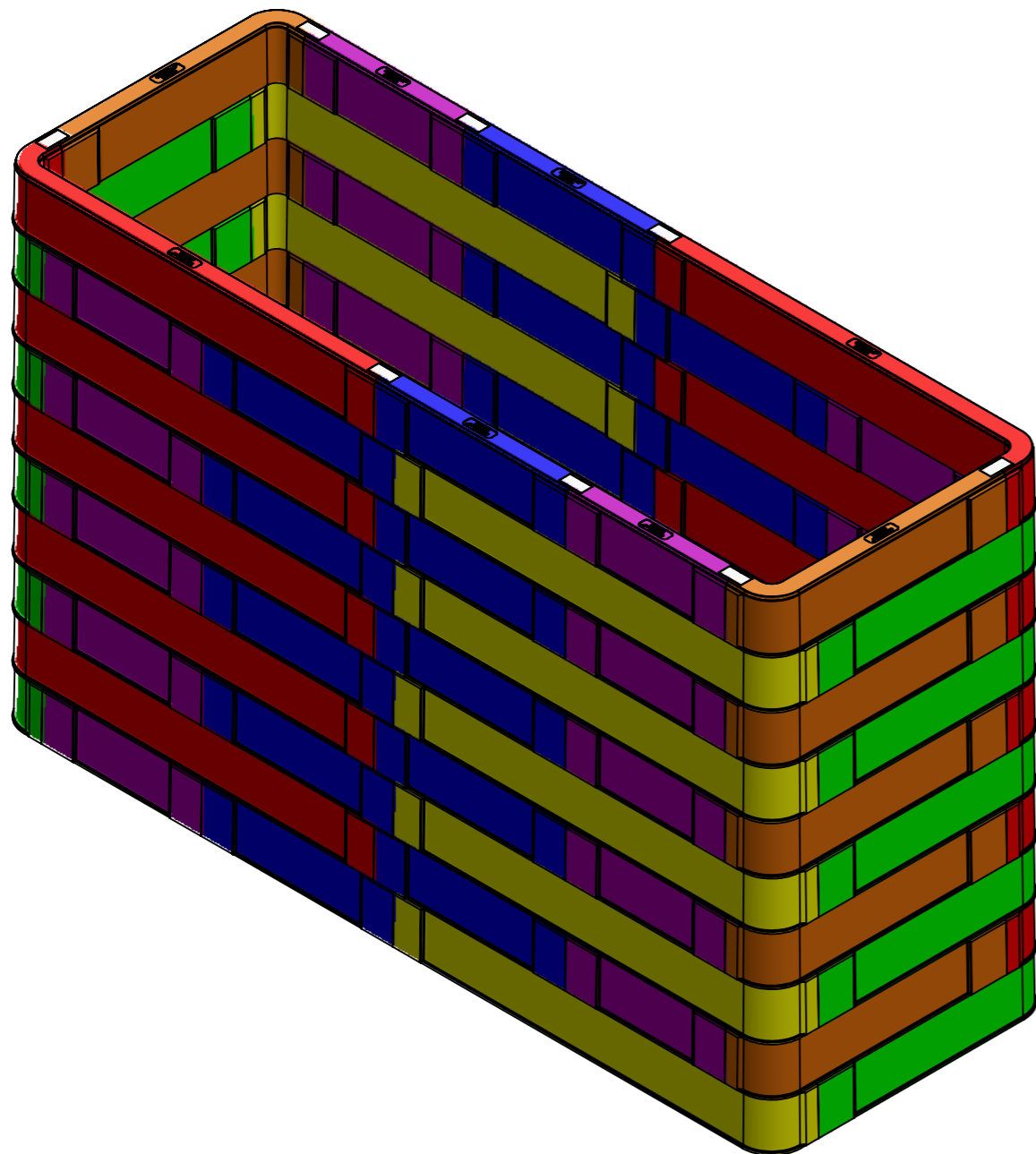
### 2300x750mm Left Hand Riser Section

PART NUMBER	DESCRIPTION	QTY
CPUCHS-11200080-00LH	1200mm Left Hockey Stick	2
CPUCHS-06700080-00LH	750mm Left Hockey Stick	2
CPUCSW-0600	600mm Straight	2
CPUCSW-0500	500mm Straight	2
CPULCS-FPV1	Ultima Connect Peg	8



### 2300x750mm Right Hand Riser Section

PART NUMBER	DESCRIPTION	QTY
CPUCHS-11200080-00RH	1200mm Right Hockey Stick	2
CPUCHS-06700080-00RH	750mm Right Hockey Stick	2
CPUCSW-0600	600mm Straight	2
CPUCSW-0500	500mm Straight	2
CPULCS-FPV1	Ultima Connect Peg	8



When building up a chamber alternate between left hand and right hand riser sections.



Copyright of Cubis. No part of this document may be communicated, copied or used without prior permission of Cubis.

[www.Cubis-Systems.com](http://www.Cubis-Systems.com)

Date	24/09/17
Drawn	CB
Appr.	.

Third Angle Projection	
Weight	. kg

Material	N/A
Finish	N/A
Tolerance unless Otherwise Stated	+1,-1

DIMS	mm
------	----

TITLE	2300x750x1500mm Ultima Connect Chamber		
SIZE	A3	DWG NO	-
SHEET	2 OF 2	REV	-

Rev	Date	Revision History: Description	Drwn	Appr
.	--/--/--	.	.	.
.	--/--/--	.	.	.
.	--/--/--	.	.	.
.	--/--/--	.	.	.