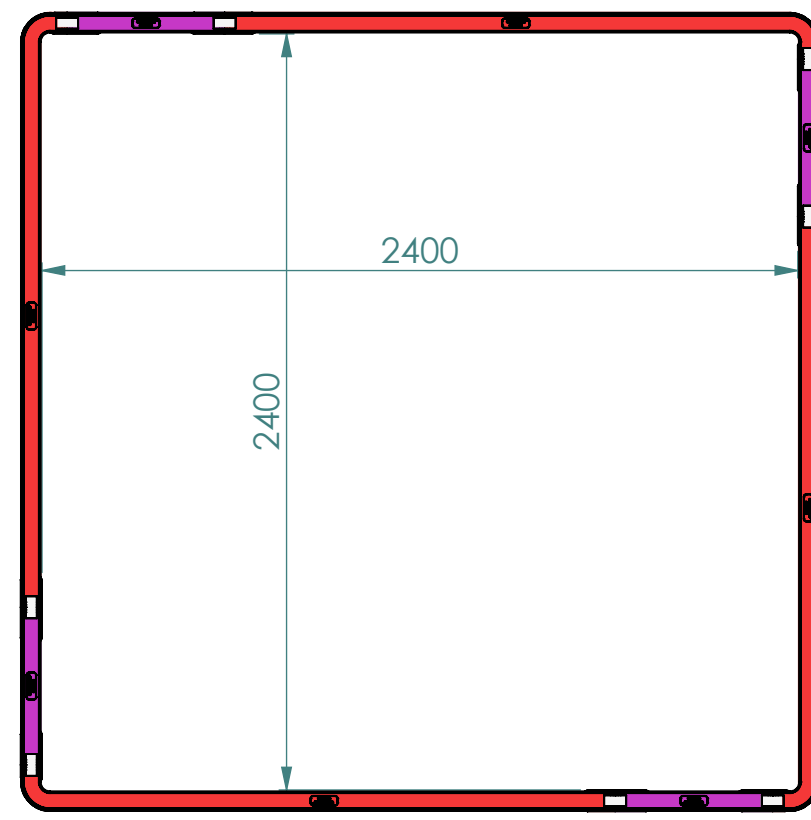


**2400x2400mm
Left Hand Riser Section**

PART NUMBER	DESCRIPTION	QTY
CPUCHS-18200080-00LH	1900mm Left Hockey Stick	4
CPUCSW-0500	500mm Straight	4
CPULCS-FPV1	Ultima Connect Peg	8



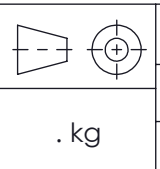
**2400x2400mm
Right Hand Riser Section**

PART NUMBER	DESCRIPTION	QTY
CPUCHS-18200080-00RH	1900mm Right Hockey Stick	4
CPUCSW-0500	500mm Straight	4
CPULCS-FPV1	Ultima Connect Peg	8



Copyright of Cubis. No part of this document may be communicated, copied or used without prior permission of Cubis.
www.Cubis-Systems.com

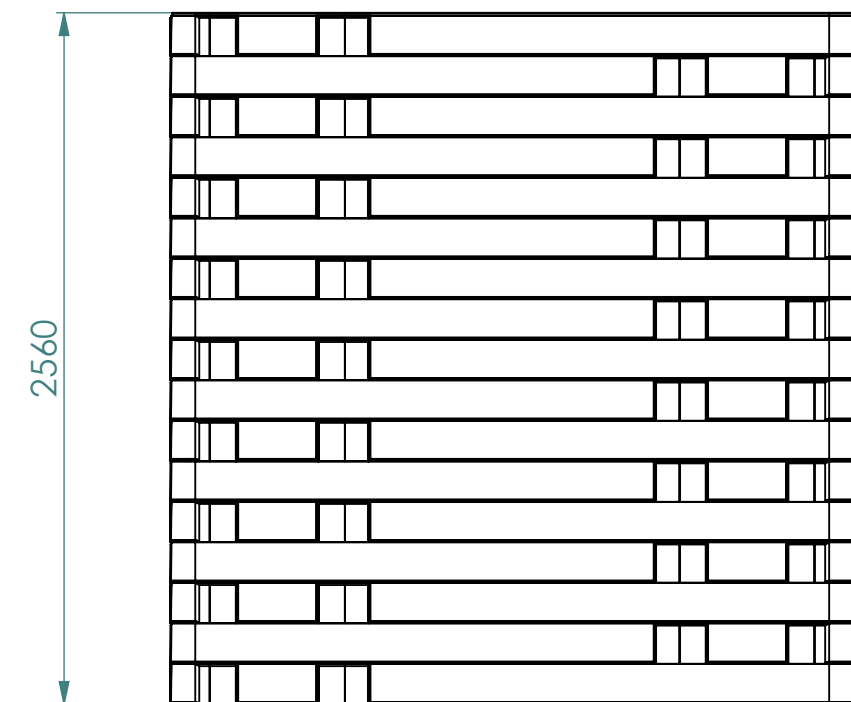
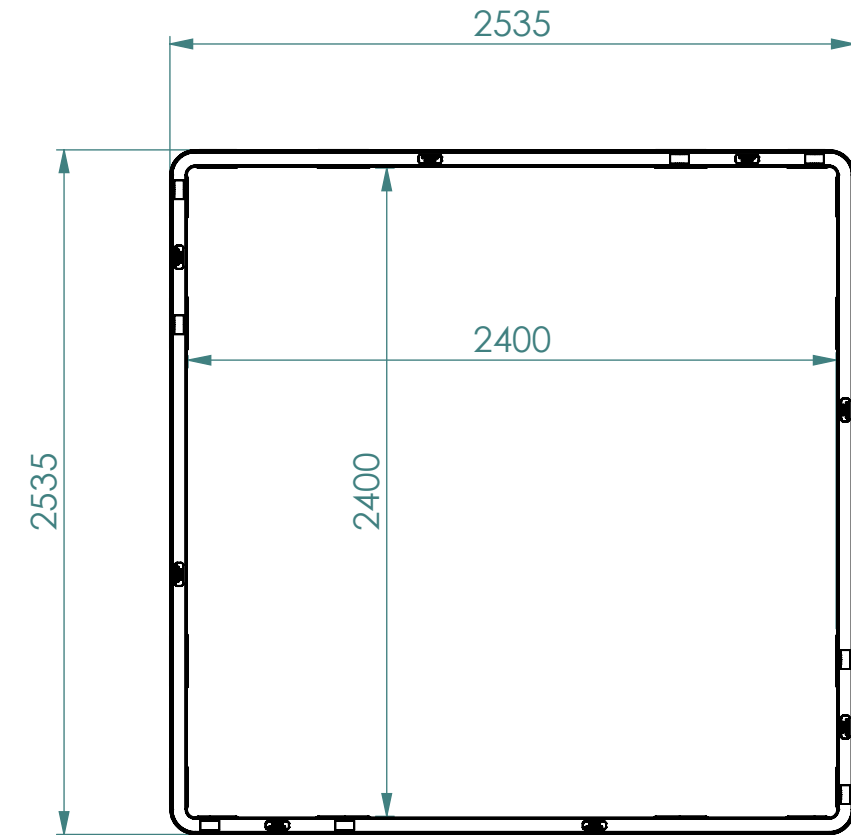
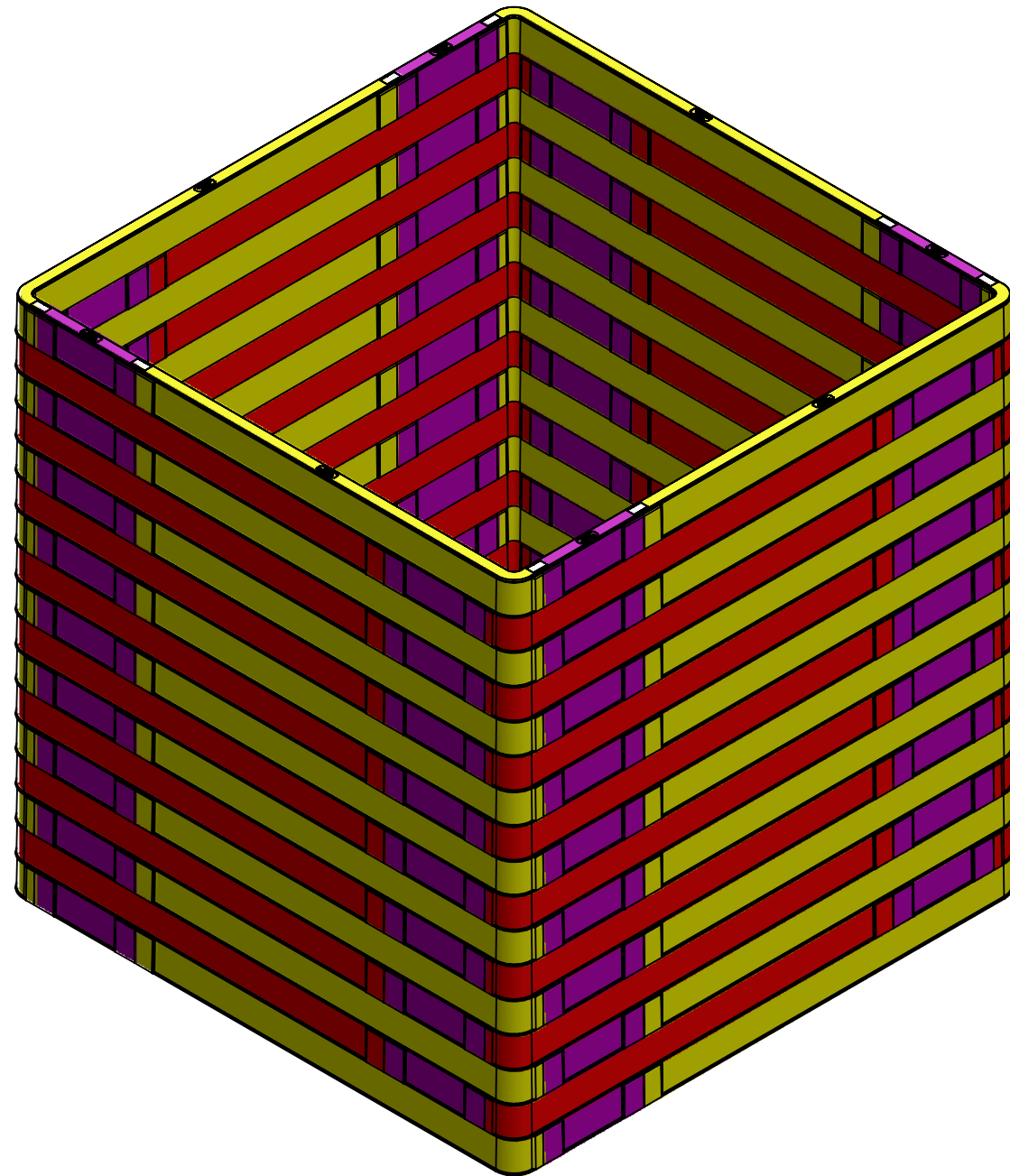
Date	09/03/17	Third Angle Projection
Drawn	C BURKE	
Appr.		Weight



Material	N/A	
Finish	N/A	DIMS
Tolerance unless Otherwise Stated		+1,-1 mm

TITLE	2400x2400mm Ultima Connect Riser Build Details		
SIZE	DWG NO	SHEET 1 OF 2	REV
A3	-	-	-

Rev	Date	Description	Drwn	Appr
.	--/--	.	.	.
.	--/--	.	.	.
.	--/--	.	.	.
.	--/--	.	.	.



When building up a chamber alternate between left hand and right hand riser sections.



Copyright of Cubis. No part of this document may be communicated, copied or used without prior permission of Cubis.

www.Cubis-Systems.com

Date	09/03/17	Third Angle Projection
Drawn	C BURKE	
Appr.	.	

Weight	. kg
--------	------

Material	N/A	
Finish	N/A	DIMS
Tolerance unless Otherwise Stated	+1,-1	mm

TITLE	2400x2400x2550mm Ultima Connect Chamber		
SIZE	DWG NO	SHEET 2 OF 2	REV
A3	-	-	-

Rev	Date	Revision History: Description	Drwn	Appr
.	--/--	.	.	.
.	--/--	.	.	.
.	--/--	.	.	.
.	--/--	.	.	.