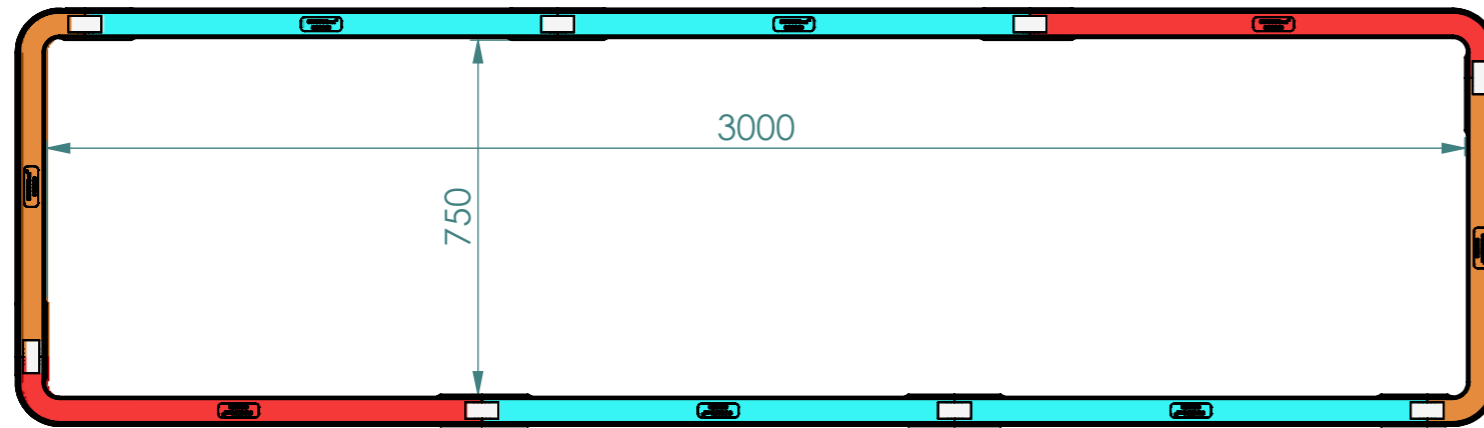


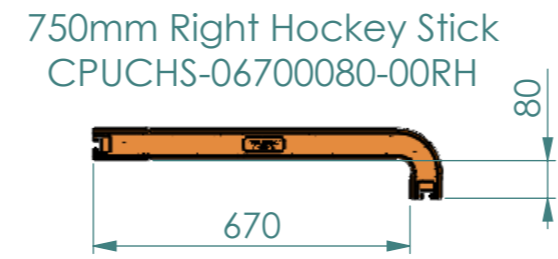
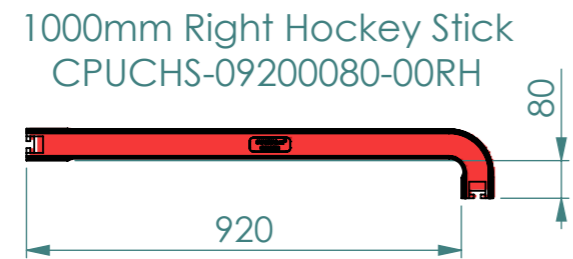
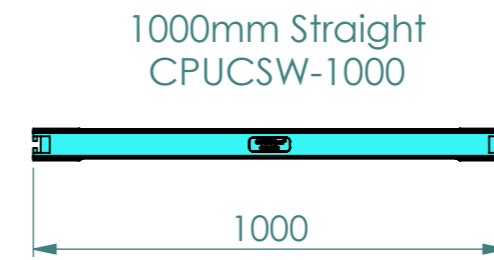
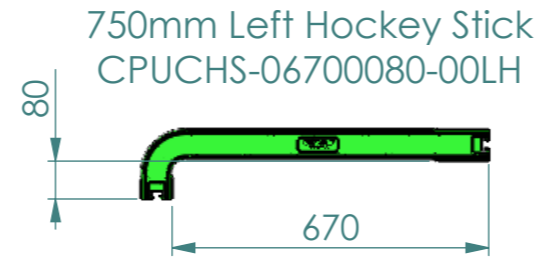
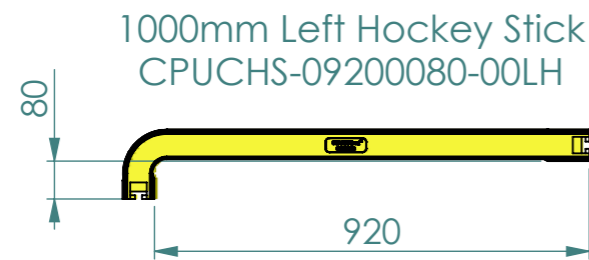
### 3000x750mm Left Hand Riser Section

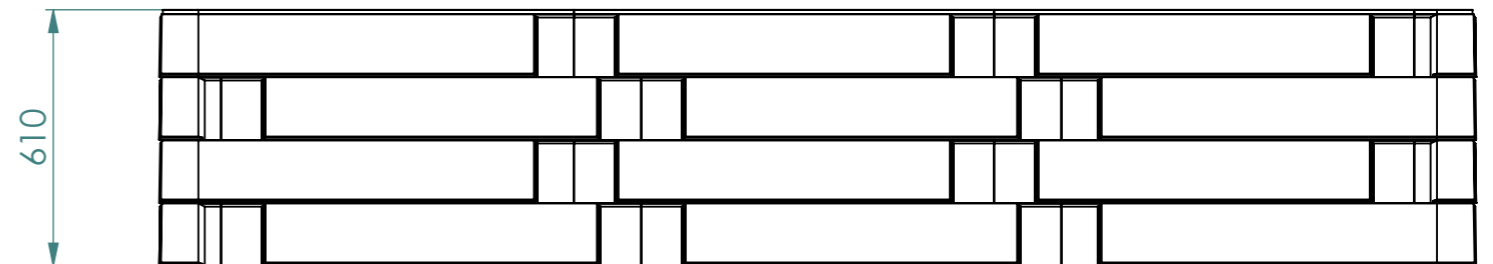
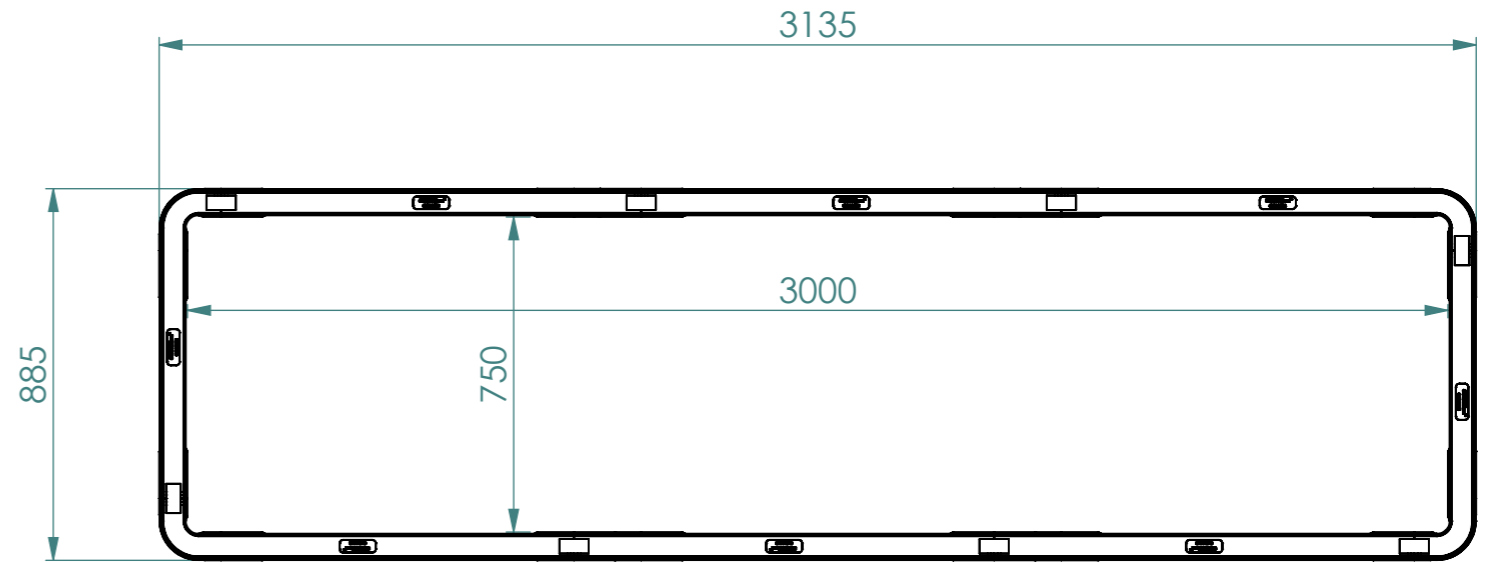
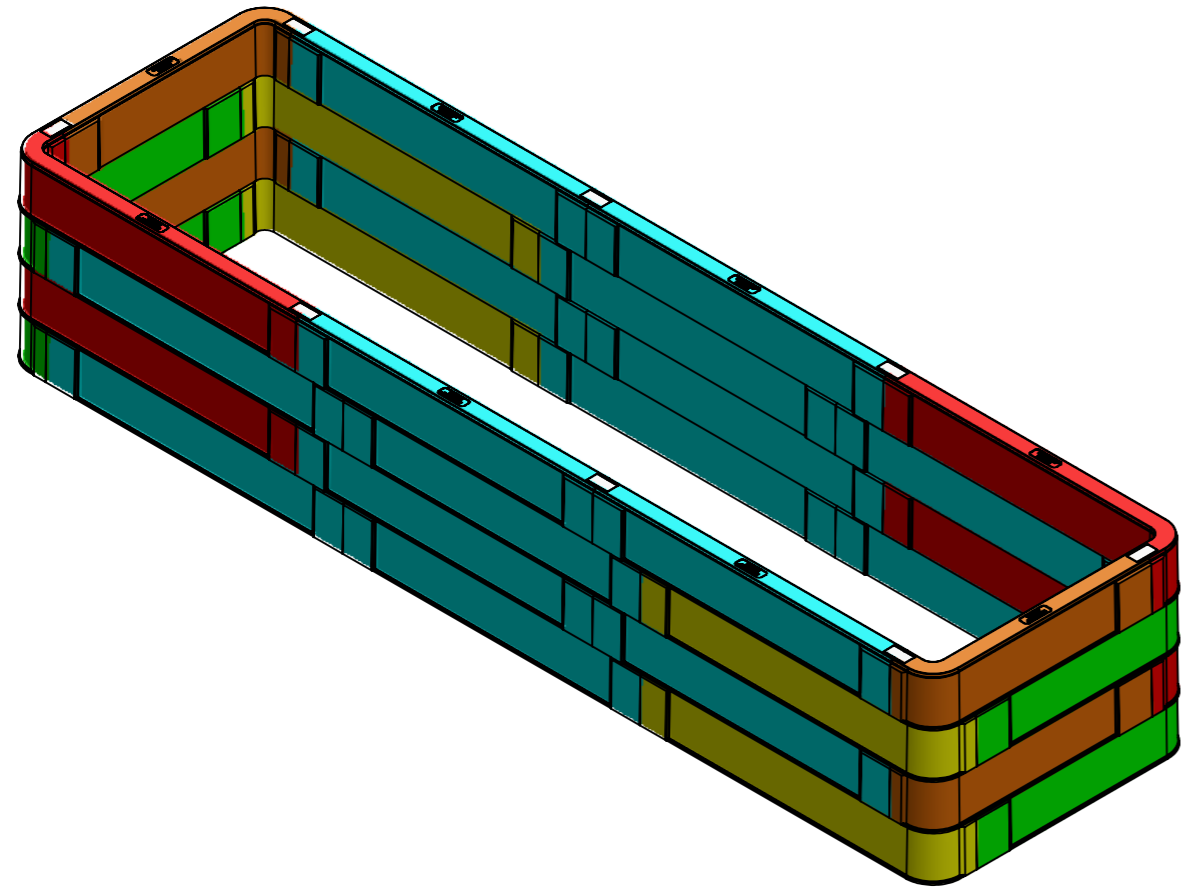
PART NUMBER	DESCRIPTION	QTY
CPUCHS-09200080-00LH	1000mm Left Hockey Stick	2
CPUCHS-06700080-00LH	750mm Left Hockey Stick	2
CPUCSW-1000	1000mm Straight	4
CPULCS-FPV1	Ultima Connect Peg	8



### 3000x750mm Right Hand Riser Section

PART NUMBER	DESCRIPTION	QTY
CPUCHS-09200080-00RH	1000mm Right Hockey Stick	2
CPUCHS-06700080-00RH	750mm Right Hockey Stick	2
CPUCSW-1000	1000mm Straight	4
CPULCS-FPV1	Ultima Connect	8





When building up a chamber alternate between left hand and right hand riser sections.



Copyright of Cubis. No part of this document may be communicated, copied or used without prior permission of Cubis.

[www.Cubis-Systems.com](http://www.Cubis-Systems.com)

Date	18/08/17
Drawn	CB
Appr.	.

Third Angle Projection	
Weight	. kg

Material	N/A
Finish	N/A
Tolerance unless Otherwise Stated	+1,-1

DIMS	mm
------	----

TITLE	3000x750x600mm Ultima Connect Chamber		
SIZE	A3	DWG NO	-
		SHEET 2 OF 2	REV
			-

Rev	Date	Revision History: Description	Drwn	Appr
.	--/--/--	.	.	.
.	--/--/--	.	.	.
.	--/--/--	.	.	.
.	--/--/--	.	.	.