

DIMENSIONS

According to IEC 60305

IEC designation

Diameter of shell (D)

Spacing (P)

Min. nominal creepage distance

Couplings according to IEC 60120

Approximate net weight

U120B

255 mm

146 mm

320 mm

Size 16A

3,8 kg

MECHANICAL PERFORMANCE

According to IEC 60383

Min. mechanical failing load

Routine Test Load

120 kN

60 kN

ELECTRICAL PERFORMANCE

According to IEC 60383

Power frequency withstand voltage

dry one minute

wet one minute

Lightning impulse withstand voltage ±

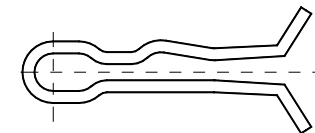
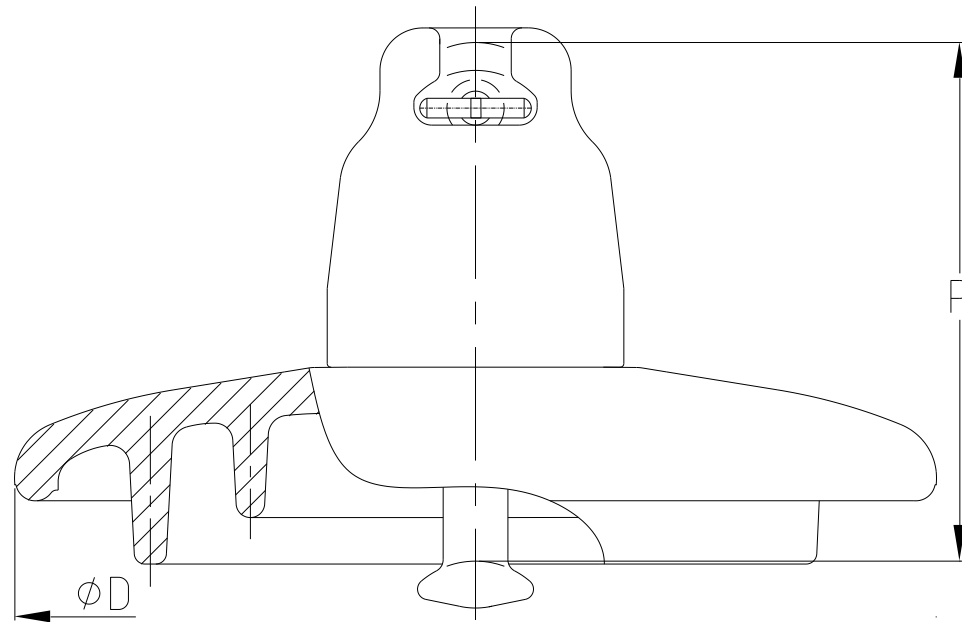
Withstand puncture voltage

70 kV

40 kV

100 kV

130 kV



COMPONENT PARTS

Dielectric shell: Toughened Glass


Cap: Hot dip galvanized cast iron

Pin: Hot dip galvanized forged steel

Cotter key: Stainless Steel

Cement: Aluminous, hot cured

Code:UF120CB146C(C/F)16ANI

SEDIVER®		SEDIVER Spa Area industriale F2 CAP 83051 Nusco, Italy	
INSULATOR TYPE	F 12/146	Approved	
Drawing n°	8D81D03D04	Issue :	Date 30/06/2020

Drawings, sketches and other data contained in this document ("Proprietary Data") are protected by intellectual property laws and international treaty and conventions on intellectual property, and/or shall be treated as confidential information. Proprietary Data shall not be used for any purpose other than as permitted. Any reproduction or disclosure of is subject to prior and written consent. Communication of this document shall not be construed as granting any right, title, license, interest to the Proprietary Data nor as representing an intent to authorize the creation of derivative work based on the Proprietary Data. Proprietary Data as well as any copies must be returned or destroyed, on first request