

DIMENSIONS

According to IEC 60305

IEC designation

Diameter of shell (D)

Spacing (P)

Min. nominal creepage distance

Couplings according to IEC 60120

Approximate net weight

U210B

280 mm

170 mm

380 mm

Size 20

6,6 kg

MECHANICAL PERFORMANCE

According to IEC 60383

Min. mechanical failing load

210 kN

Routine Test Load

105 kN

ELECTRICAL PERFORMANCE

According to IEC 60383

Power frequency withstand voltage

dry one minute

75 kV

wet one minute

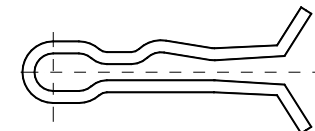
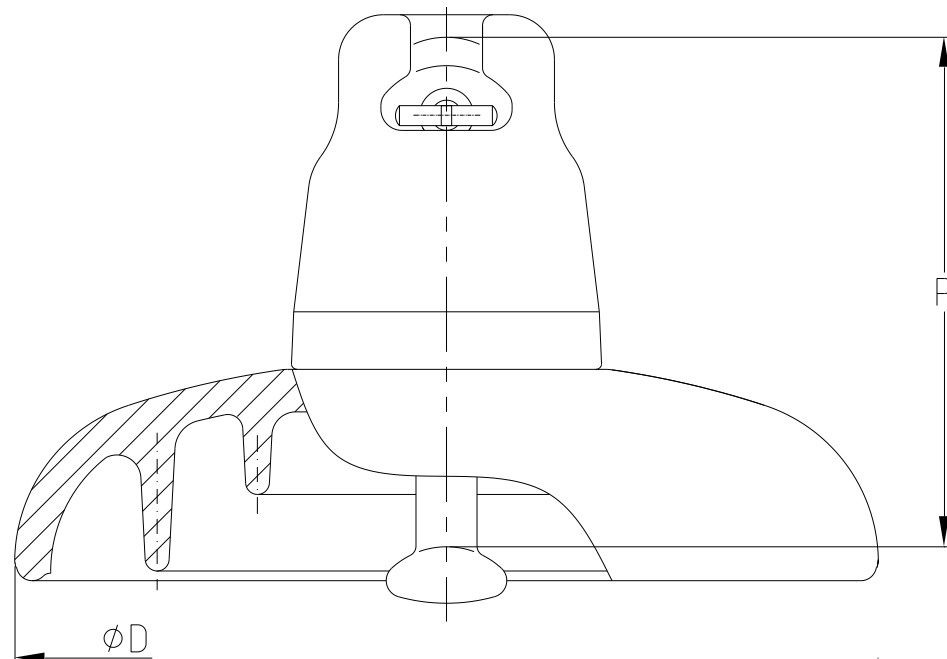
45 kV

Lightning impulse withstand voltage ±

110 kV

Withstand puncture voltage

130 kV



COMPONENT PARTS

Dielectric shell: Toughened Glass

Cap: Hot dip galvanized cast iron

Pin: Hot dip galvanized forged steel

Cotter key: Stainless Steel

Cement: Aluminous, hot cured

Code:UF210CZ170C(C/F)020NI

SEDIVER®

SEDIVER Spa
Area industriale F2 CAP 83051 Nusco, Italy

INSULATOR TYPE F 21/170

Approved

Drawing n° 8D81D0533D

Issue :

Date 30/06/2020

Drawings, sketches and other data contained in this document ("Proprietary Data") are protected by intellectual property laws and international treaty and conventions on intellectual property, and/or shall be treated as confidential information. Proprietary Data shall not be used for any purpose other than as permitted. Any reproduction or disclosure of is subject to prior and written consent. Communication of this document shall not be construed as granting any right, title, license, interest to the Proprietary Data nor as representing an intent to authorize the creation of derivative work based on the Proprietary Data. Proprietary Data as well as any copies must be returned or destroyed, on first request