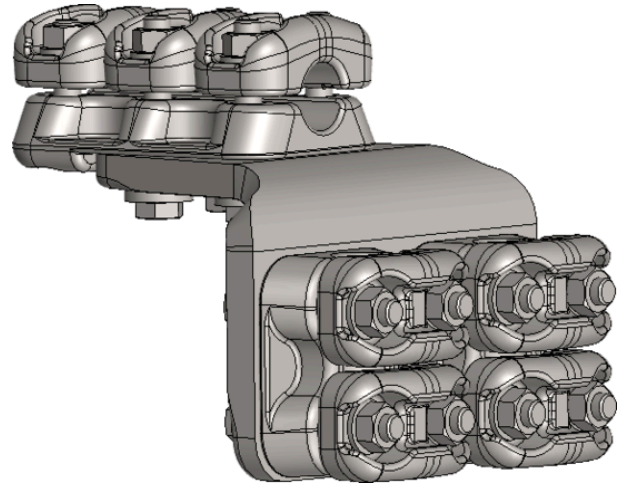


Product name	MFK Duplex 90 degree 1 x 17-37mm 3d 2 x 17-37mm 2d
Product code	112123
Product type	MFK Duplex 90 gr 1x3d+2x2d
GTIN	7332811350887
ETIM-Class	



Measurements

Weight	6 130 g
---------------	---------

Technical informations - Clamps

Bolt dimension / number mm / pcs	m12
Weight	6 130 g
Load In	1300 A
Max Rated Voltage Un	245 kV
Short Circuit Current kA 1s	50 kA

Load / Tension Data

Wrench Size	19
Torque	75 Nm

Specifications

Conductor Diameter Main	17-37 mm
Conductor Diameter Tap	17-37 mm
Hole Diameter d	17-37 mm
Hole Diameter D	37-47 mm
Number of Caps	1x3d+2x2d

