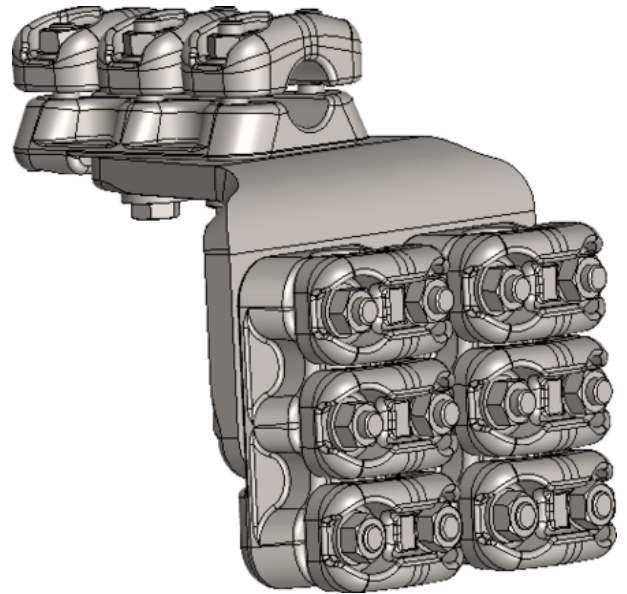


Product name	MFK Duplex 90 degree 3 x 17-37mm 3d
Product code	112119
Product type	MFK Duplex 90 gr 3x3d
GTIN	7332811350849
ETIM-Class	



Measurements

Weight	6 582 g
--------	---------

Technical informations - Clamps

Bolt dimension / number mm / pcs	m12
Weight	6 582 g
Load In	1300 A
Max Rated Voltage Un	245 kV
Short Circuit Current kA 1s	63 kA

Load / Tension Data

Wrench Size	19
Torque	75 Nm

Specifications

Conductor Diameter Main	17-37 mm
Conductor Diameter Tap	17-37 mm
Hole Diameter d	17-37 mm
Hole Diameter D	37-47 mm
Number of Caps	3x3d

