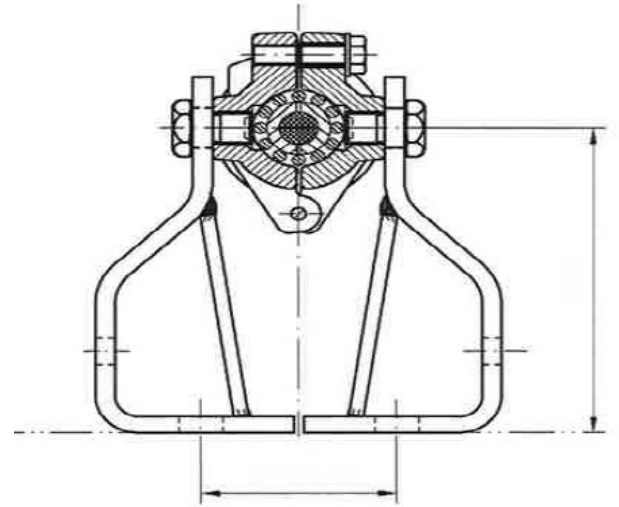


Product name	Osc AGS clamp w/bracket
Product code	0623133
Product type	4361.11/2H
GTIN	7332811192890
ETIM-Class	



Measurements

Length	1 800 mm
Height	200 mm
Width	160 mm
Weight	4 700 g