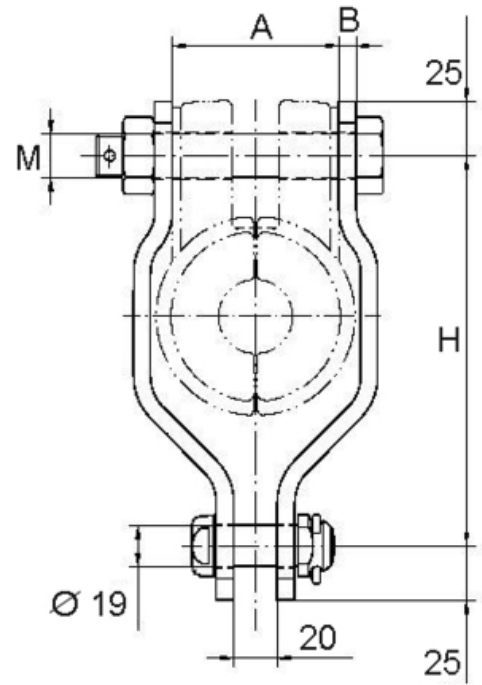


Product name	Counterweight device for AGS-clamp Counterweight device for
Product code	0626543
Product type	4370.57/14
GTIN	7332811074417
ETIM-Class	



Measurements

Length	175 mm
Height	40 mm
Width	100 mm
Weight	1 500 g

Technical Specifications - String Hardware

Bolt Diameter	19 mm
Conductor Diameter	12,24-16,40 mm
Conductor Cross Section	99-157 mm ²
Material	varmgalvaniserat stål
Dimension A	55 mm
Dimension h	125 mm
Dimension M	m16 mm