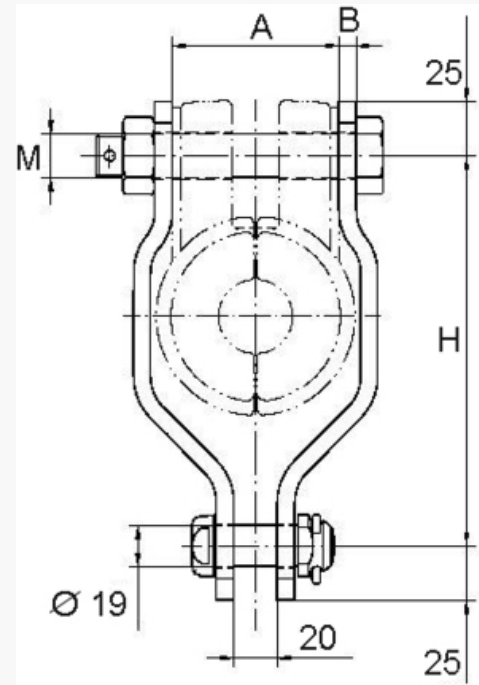


Product name	Counterweight device for AGS-clamp Counterweight device for
Product code	0626548
Product type	4370.57/12
GTIN	7332811074462
ETIM-Class	



Measurements

Length	270 mm
Height	40 mm
Width	137 mm
Weight	2 100 g

Technical Specifications - String Hardware

Bolt Diameter	19 mm
Conductor Diameter	30,71-34,43 mm
Conductor Cross Section	593 mm ²
Material	varmgalvaniserat stål
Dimension A	92 mm
Dimension h	220 mm
Dimension M	m20 mm