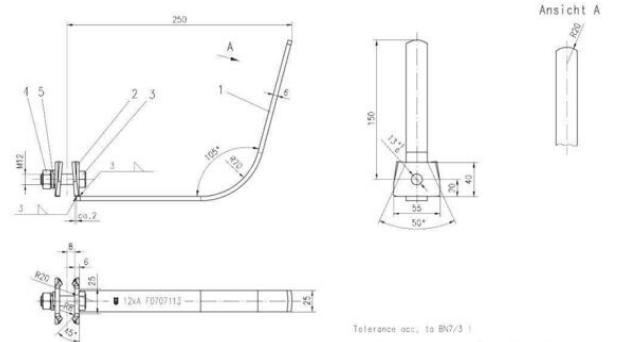


Product name	Upper arcing horn single Upper arcing horn single
Product code	0626582
Product type	4726.150/1
GTIN	7332811074523
ETIM-Class	



Measurements

Length	270 mm
Height	55 mm
Width	170 mm
Weight	500 g

Technical Specifications - String Hardware

Application	for spännkjedja
--------------------	-----------------

String Hardware - Electrical Specifications

Short Circuit Current kA 1s	12 kA
Voltage	72.5 kV