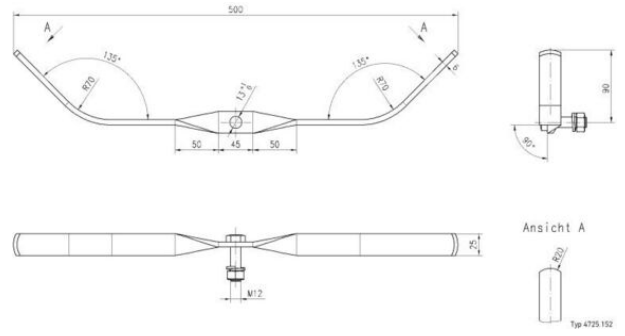


| | |
|---------------------|---|
| Product name | Lower arcing horn double Lower arcing horn double |
| Product code | 0626585 |
| Product type | 4725.152 |
| GTIN | 7332811108662 |
| ETIM-Class | |



Measurements

| | |
|---------------|-------|
| Weight | 700 g |
|---------------|-------|

Technical Specifications - String Hardware

| | |
|--------------------|---------------|
| Application | for h nkjedja |
|--------------------|---------------|

String Hardware - Electrical Specifications

| | |
|------------------------------------|---------|
| Short Circuit Current kA 1s | 12 kA |
| Voltage | 72.5 kV |