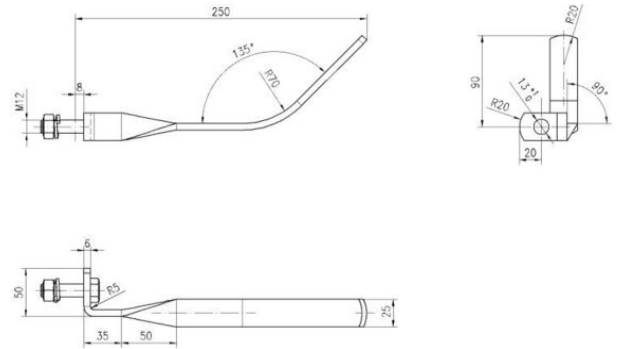


Product name	Lower arcing horn single Lower arcing horn single
Product code	0626586
Product type	4726.152
GTIN	7332811108679
ETIM-Class	



Measurements

Length	270 mm
Height	50 mm
Width	60 mm
Weight	400 g

Technical Specifications - String Hardware

Application	for hänkjedja i vinkel
--------------------	------------------------

String Hardware - Electrical Specifications

Short Circuit Current kA 1s	12 kA
Voltage	72.5 kV