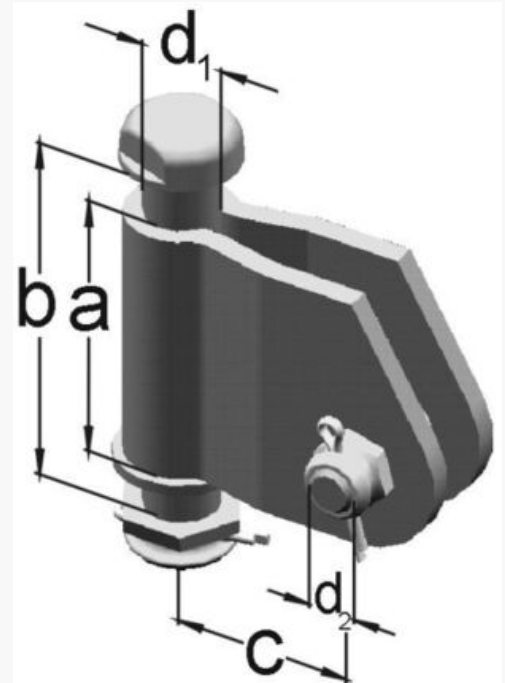


Product name	Strain hinge Strain hinge
Product code	0626803
Product type	4180.63/5/S
GTIN	7332811075896
ETIM-Class	



## Measurements

Length	220 mm
Height	70 mm
Width	135 mm
Weight	3 600 g

## Technical Specifications - String Hardware

Bolt Diameter	25 mm
Klevis Bolt Diameter	22 mm
Clevis Opening	20
Material	varmgalvaniserat stål
Nut With Locking Pin	Yes
Dimension A	150 mm
Dimension B	190 mm
Dimension C	75 mm

## String Hardware - Load / Tension data

Breaking Load	240 kN
---------------	--------