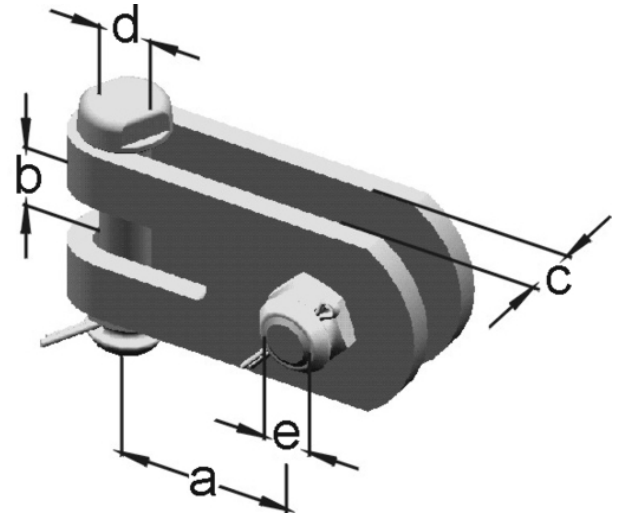


Product name	Universal joint Universal joint
Product code	0626844
Product type	4170.0009
GTIN	7332811109034
ETIM-Class	



## Measurements

Length	140 mm
Height	75 mm
Width	90 mm
Weight	1 200 g

## Technical Specifications - String Hardware

Bolt Diameter	22 mm
Klevis Bolt Diameter	18 mm
Clevis Opening	19
Material	varmgalvaniserat stål
Nut With Locking Pin	Yes
Dimension A	80 mm
Dimension B	24 mm
Dimension C	24 mm

## String Hardware - Load / Tension data

Breaking Load	210 kN
---------------	--------