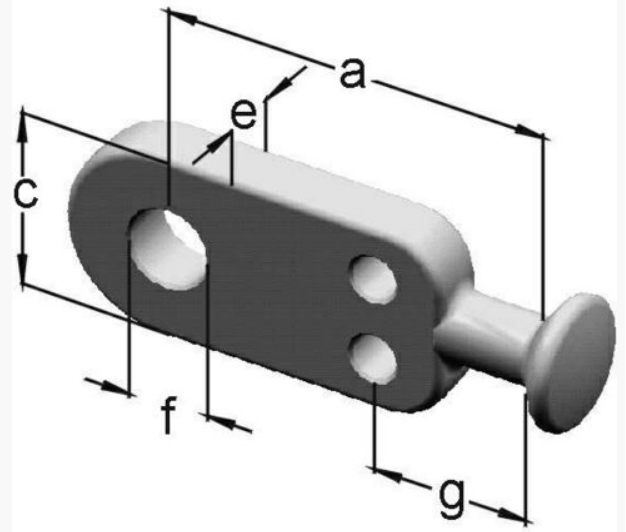


Product name	Ball eye straight Ball eye straight
Product code	0626855
Product type	4213.02/2/S
GTIN	7332811064289
ETIM-Class	EC003516



Measurements

Weight	900 g
--------	-------

Technical Specifications - String Hardware

Ball IEC	kläpp iec 20
Hole for Arcing Device	13 mm
Diameter Opening Eeye	24 mm
Material	smidd, varmgalvaniserat stål
Dimension A	130 mm
Dimension C	62 mm

String Hardware - Load / Tension data

Breaking Load	230 kN
---------------	--------