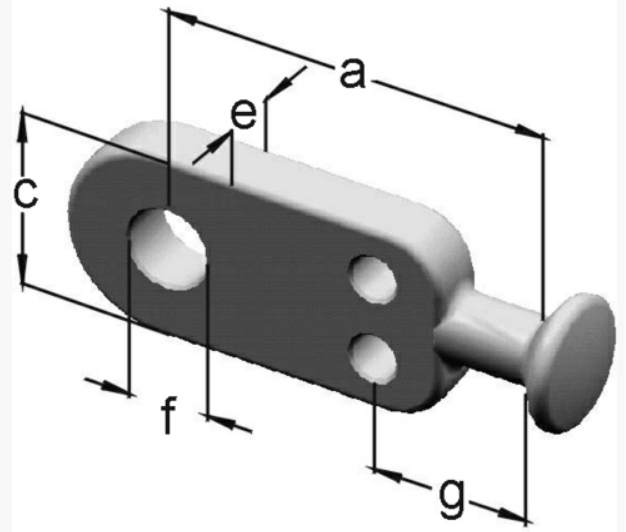


Product name	Ball eye straight Ball eye straight
Product code	0626856
Product type	4213.0015
GTIN	7332811064296
ETIM-Class	EC003516



Measurements

Length	150 mm
Height	18 mm
Width	65 mm
Weight	1040 g

Technical Specifications - String Hardware

Ball IEC	kläpp iec 16
Hole for Arcing Device	13 mm
Diameter Opening Eeye	24 mm
Material	smidd, varmgalvaniserat stål
Dimension A	115 mm
Dimension C	62 mm

String Hardware - Load / Tension data

Breaking Load	130 kN
---------------	--------