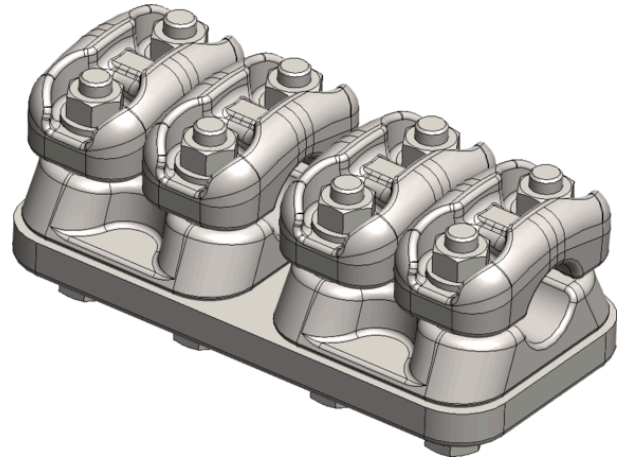


Product name	MFK R-substation connector 2d+2d 17-37mm/17-37 mm
Product code	110101
Product type	MFK R 2d+2d
GTIN	7332811350115
ETIM-Class	



## Measurements

Weight	3 180 g
--------	---------

## Technical informations - Clamps

Bolt dimension / number mm / pcs	m12
Weight	3 180 g
Material	klemmekropp i smidd aluminium bolter a2
Load In	800 A
Max Rated Voltage Un	245 kV
Short Circuit Current kA 1s	50 kA

## Load / Tension Data

Wrench Size	19 mm
Torque	75 Nm

## Specifications

Conductor Diameter Main	17-37 mm
Conductor Diameter Tap	17-37 mm
Hole Diameter d	17-37 mm
Hole Diameter D	37-47 mm

Number of Caps

2+2