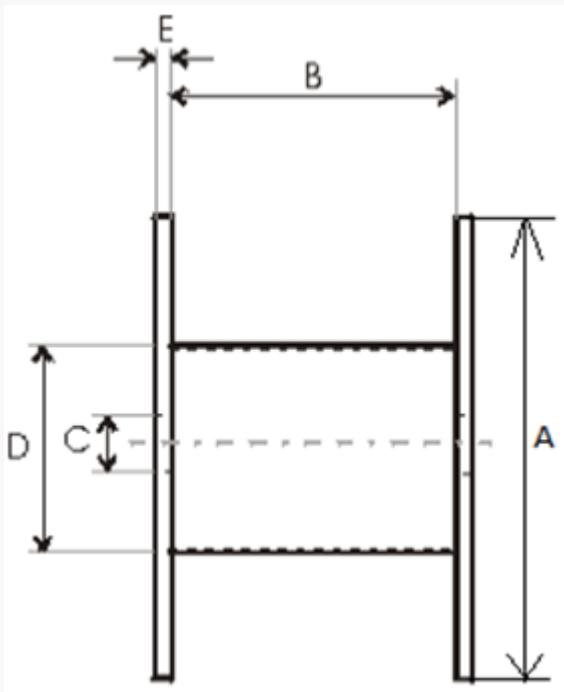


|              |                         |
|--------------|-------------------------|
| Product name | Wooden drum 900×595×320 |
| Product code | 900×595×320             |
| GTIN         |                         |
| ETIM-Class   | EC000245                |



## PRODUCT SPECIFICATIONS



## Technical Specifications - Drums

|              |                 |
|--------------|-----------------|
| Type of drum | Non-return drum |
| Material     | Wood            |
| Flange type  | Full Flange     |

|                      |        |
|----------------------|--------|
| A - Flange Diameter  | 900 mm |
| B - Inner Width      | 595 mm |
| C - Barrel hole      | 110 mm |
| D - Barrel Diameter  | 320 mm |
| E - Flange Thickness | 15 mm  |
| Weight               | 12 kg  |